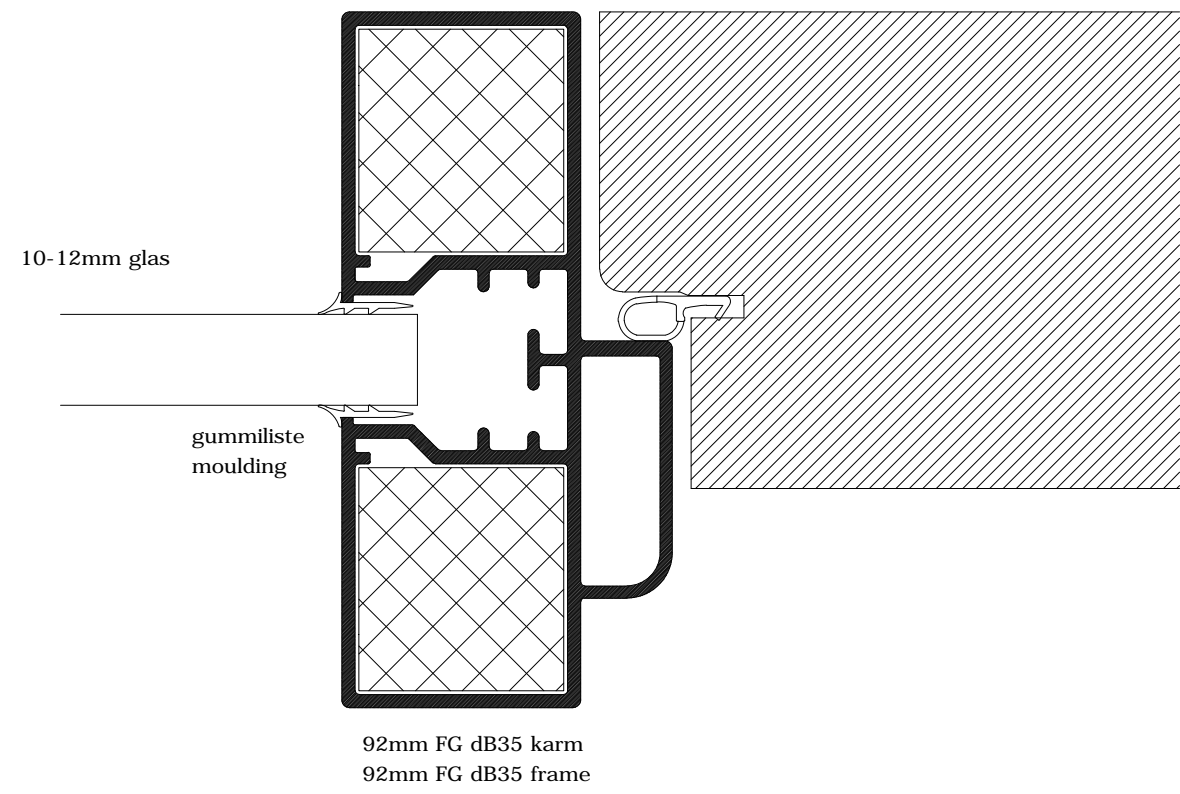

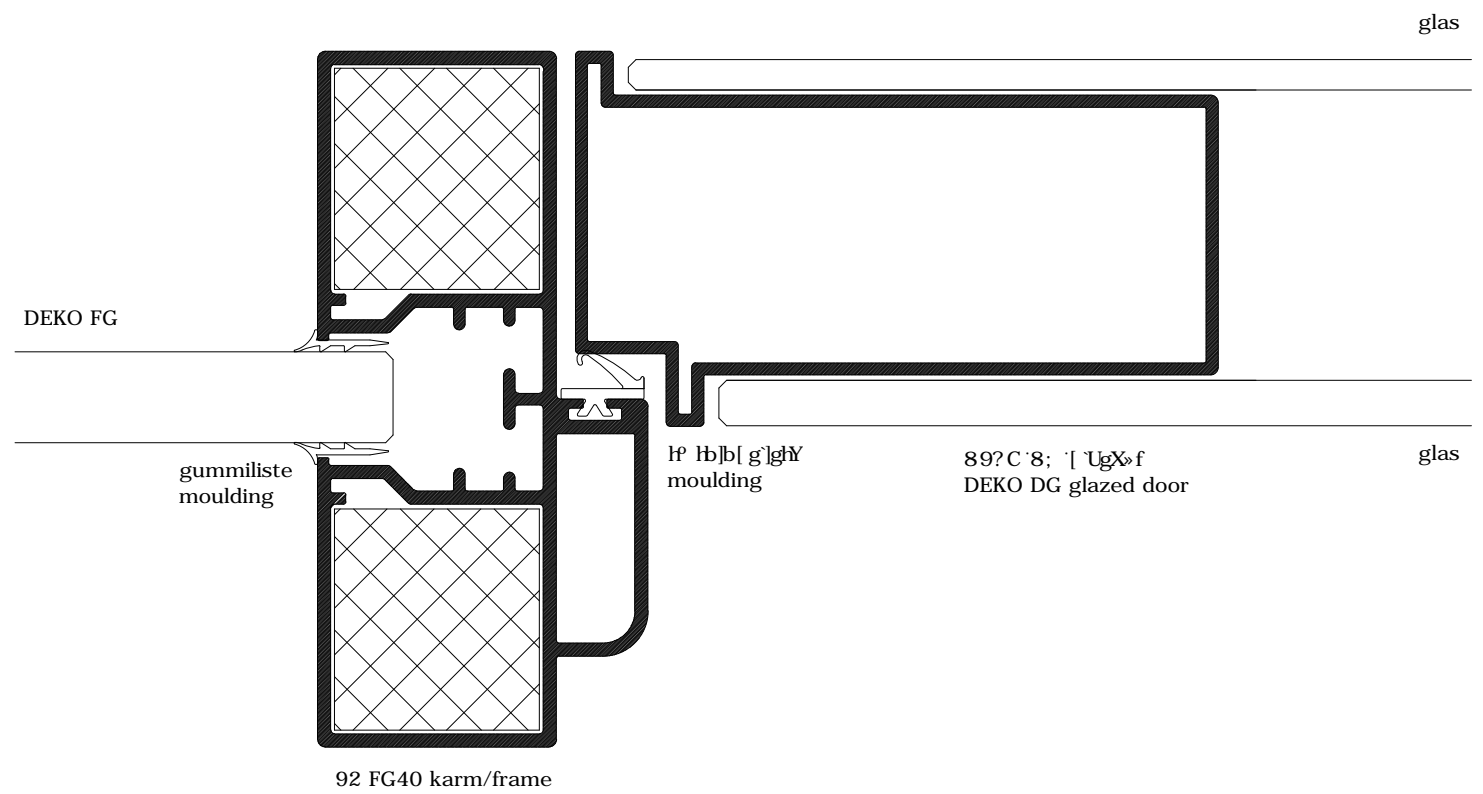



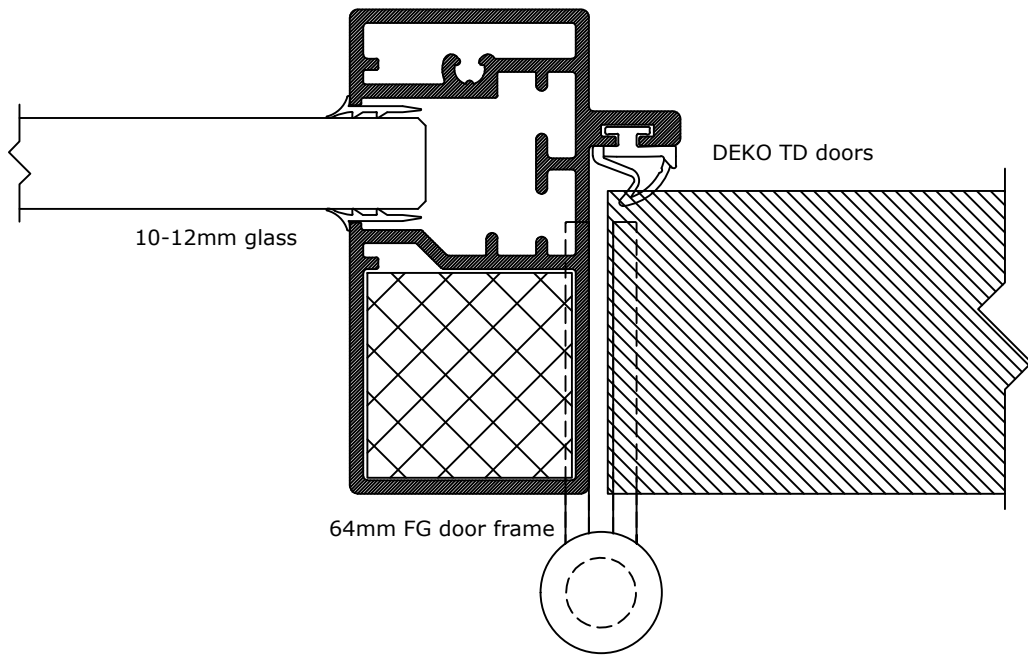
\* &a a ' ' ) X6 'nXX» f  
 62mm 35dB sound door




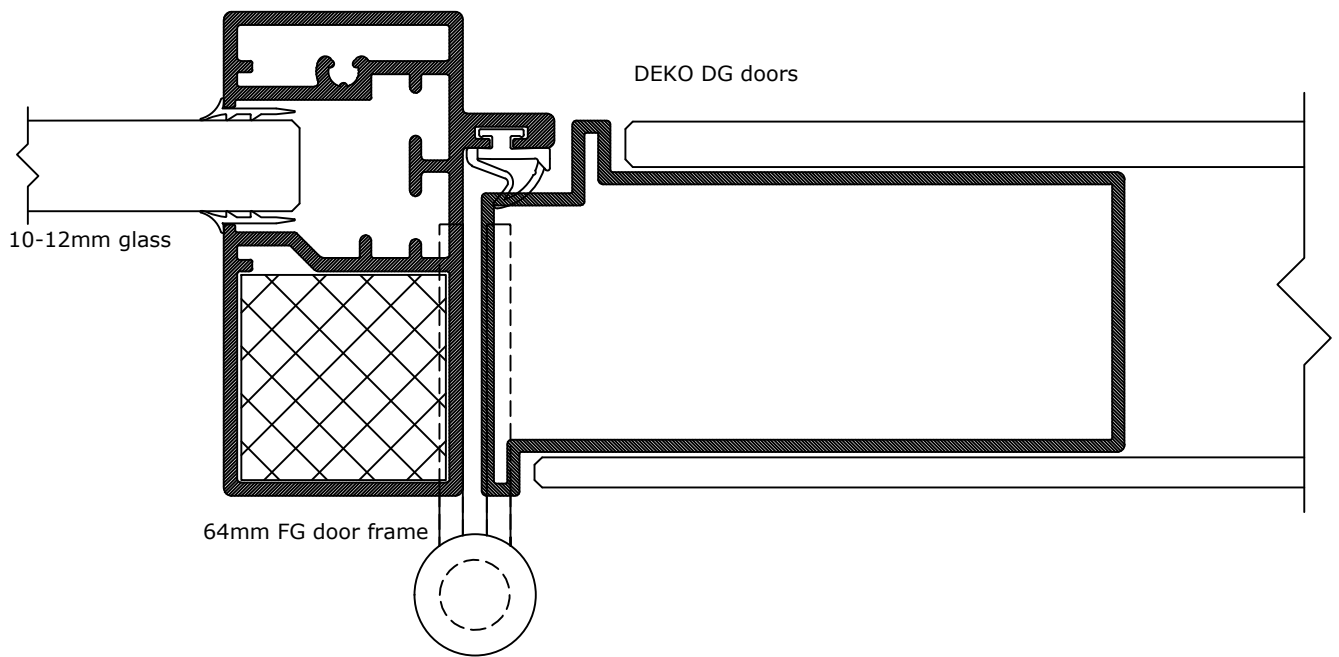
	<b>DEKO</b> Tlf./Tel: +45 43 55 77 11 www.deko.dk / www.deko.com		<b>Projekt/Project:</b> DEKO FG		
	<b>Sags Nr./Case No.:</b>	<b>Emne/Subject:</b> 8»fh]g'i lb]b[ V5C		<b>Dato/Date:</b>	<b>Tegn. Nr. Sheet No.</b> 1/1
<b>Mål/Scale</b> 1:1			<b>Revideret/Revision:</b> 2016-05-03-V01	<b>Signatur Signature</b> OP/EZ	




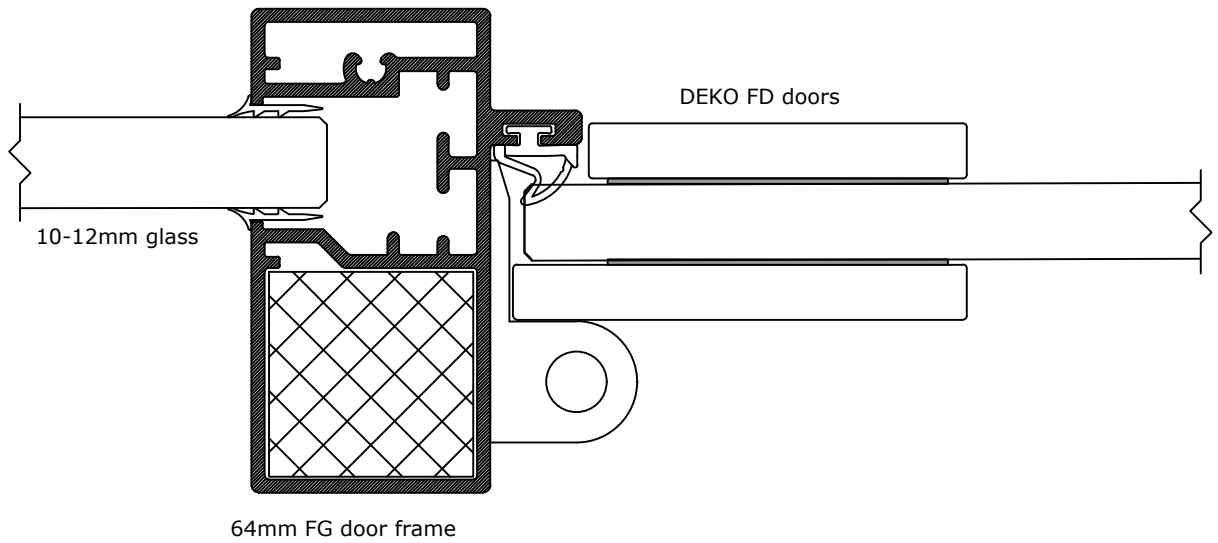
	<b>DEKO</b> <b>Tlf./Tel:</b> +45 43 55 77 11 <a href="http://www.deko.dk">www.deko.dk</a> / <a href="http://www.deko.com">www.deko.com</a>		<b>Projekt/Project:</b> DEKO FG		
	<b>Sags Nr./Case No.:</b>	<b>Emne/Subject:</b> 8>fh'g'i hb)b[		<b>Dato/Date:</b>	<b>Tegn. Nr. Sheet No.</b> 1/1
	<b>Mål/Scale</b> 1:1	<b>Revideret/Revision:</b> 2016-05-03-V01		<b>Signatur Signature</b> OP/EZ	




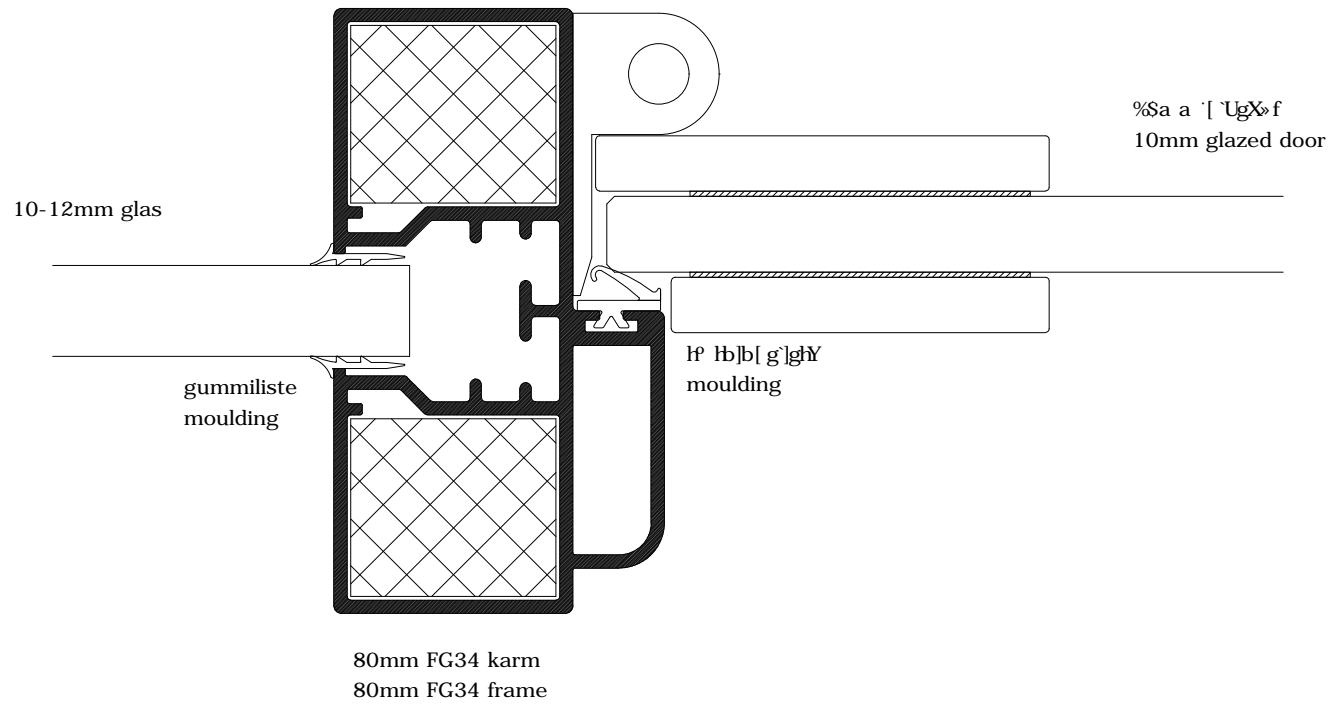
	<b>DEKO</b> Tlf./Tel: +45 43 55 77 11 www.deko.dk / www.deko.com		<b>Projekt/Project:</b> DEKO FG	
	<b>Sags Nr./Case No.:</b>	<b>Emne/Subject:</b> V5E Detail	<b>Dato/Date:</b> 2016-10-12	<b>Tegn. Nr. Sheet No.</b> 1/1
<b>Mål/Scale:</b> 1:1		<b>Revideret/Revision:</b> 2017-03-13 V01	<b>Signatur Signature</b> EZ	




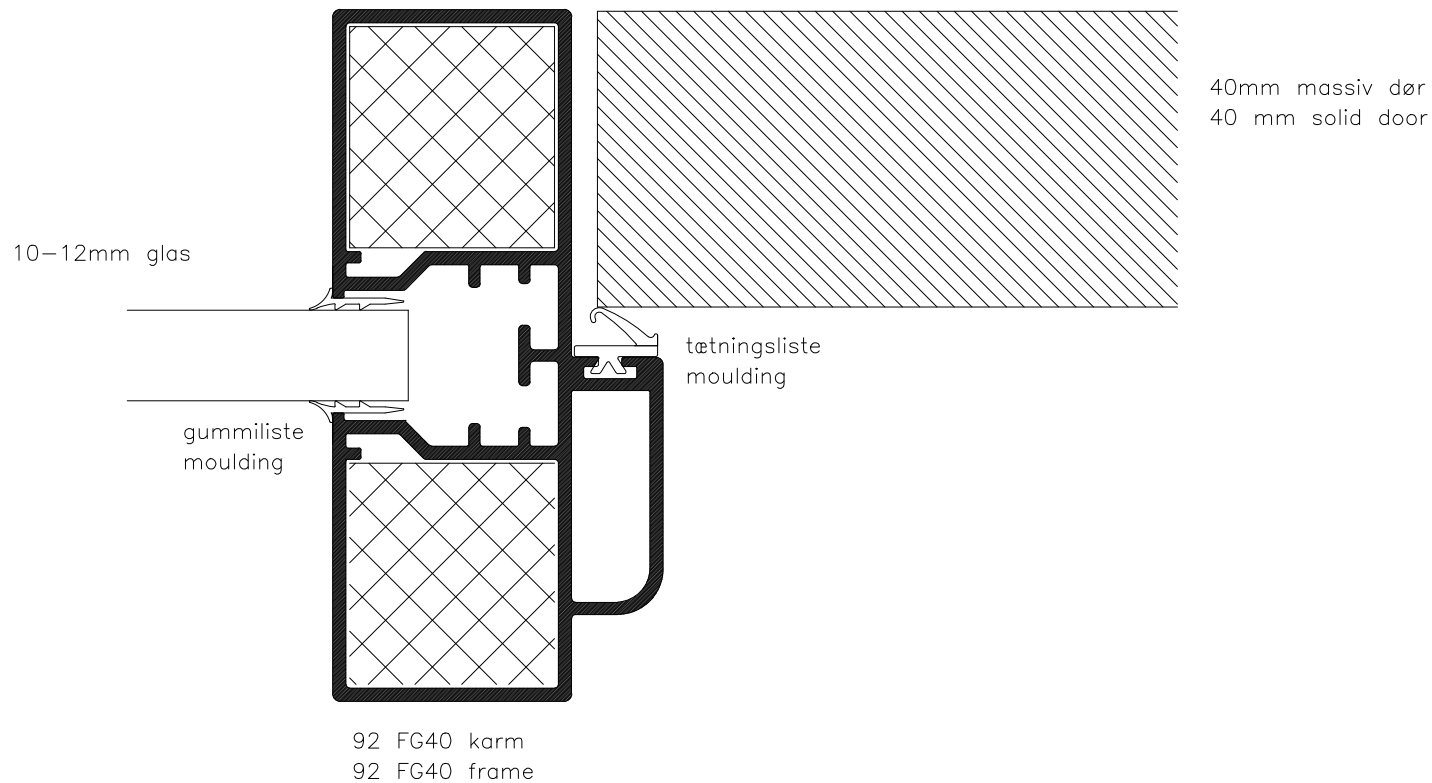
	<b>DEKO</b> Tlf./Tel: +45 43 55 77 11 www.deko.dk / www.deko.com		<b>Projekt/Project:</b> DEKO FG	
	<b>Sags Nr./Case No.:</b>	<b>Emne/Subject:</b> V5F Detail	<b>Dato/Date:</b> 2016-10-12	<b>Tegn. Nr. Sheet No.</b> 1/1
<b>Mål/Scale:</b> 1:1		<b>Revideret/Revision:</b> 2017-03-13 V01	<b>Signatur Signature</b> EZ	



	<b>DEKO</b> Tlf./Tel: +45 43 55 77 11 www.deko.dk / www.deko.com		<b>Projekt/Project:</b> DEKO FG	
	<b>Sags Nr./Case No.:</b>	<b>Emne/Subject:</b> V5G Detail	<b>Dato/Date:</b> 2016-10-12	<b>Tegn. Nr. Sheet No.</b> 1/1
<b>Mål/Scale:</b> 1:1		<b>Revideret/Revision:</b> 2017-03-13 V01	<b>Signatur Signature</b> EZ	



	<b>DEKO</b> <b>Tlf./Tel:</b> +45 43 55 77 11 <a href="http://www.deko.dk">www.deko.dk</a> / <a href="http://www.deko.com">www.deko.com</a>		<b>Projekt/Project:</b> DEKO FG		
	<b>Sags Nr./Case No.:</b>	<b>Emne/Subject:</b> 8»fh}g'i hb}b[ V5A		<b>Dato/Date:</b>	<b>Tegn. Nr. Sheet No.</b> 1/1
<b>Mål/Scale</b> 1:1			<b>Revideret/Revision:</b> 2016-05-03-V01	<b>Signatur Signature</b> OP/EZ	



**DEKO**

Tlf./Tel: +45 43 55 77 11  
www.deko.dk / www.deko.com

**Projekt/Project:**

DEKO FG

**Sags Nr./Case No.:**

**Emne/Subject:**

Dørtilslutning  
V5B

**Dato/Date:**

**Tegn. Nr.**

**Sheet No.** 1/1

**Mål/Scale**  
1:1

**Revideret/Revision:**  
2017-05-19-V01

**Signatur** OP/EZ  
**Signature**