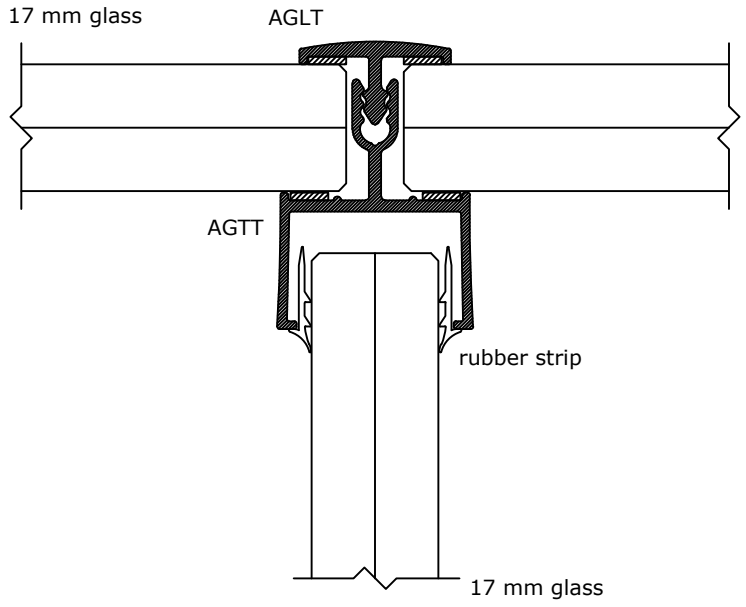

	DEKO Tlf./Tel: +45 43 55 77 11 www.deko.dk / www.deko.com		Projekt/Project: _____ _____ _____	
	Sags Nr./Case No.: _____	Emne/Subject: V2B Detail _____		Dato/Date: _____
Mål/Scale: -	_____		Revideret/Revision: 2017-07-13-VXX	Signatur Signature XX



	DEKO Tlf./Tel: +45 43 55 77 11 www.deko.dk / www.deko.com		Projekt/Project: _____ _____ _____	
	Sags Nr./Case No.: _____	Emne/Subject: V2K Detail _____		Dato/Date: _____
Mål/Scale: -	_____		Revideret/Revision: 2017-07-13-VXX	Signatur Signature XX