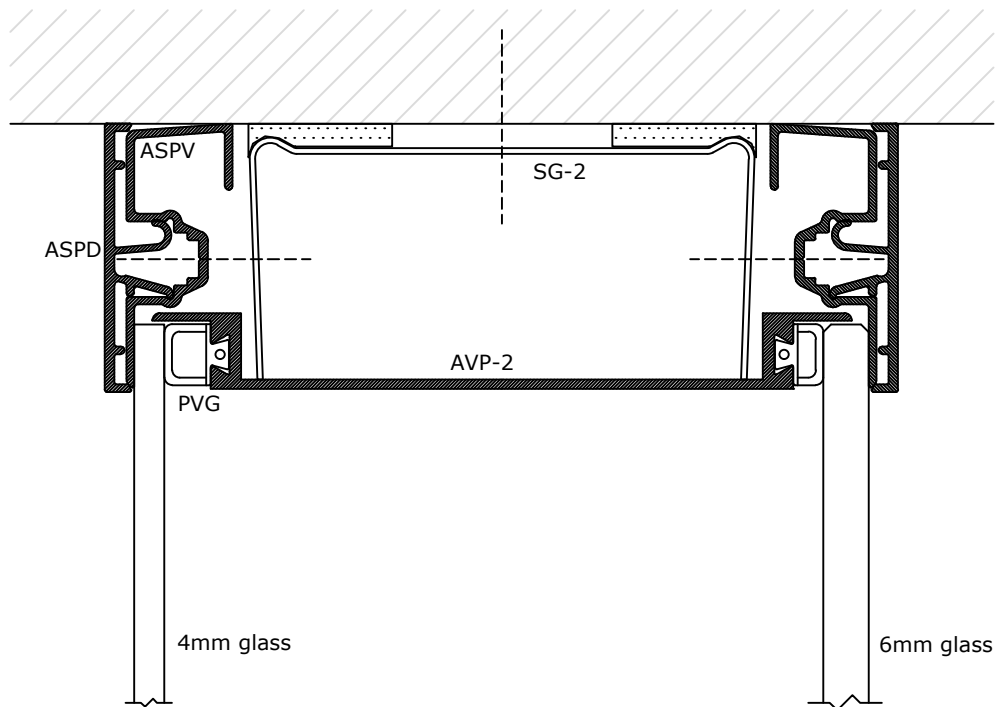

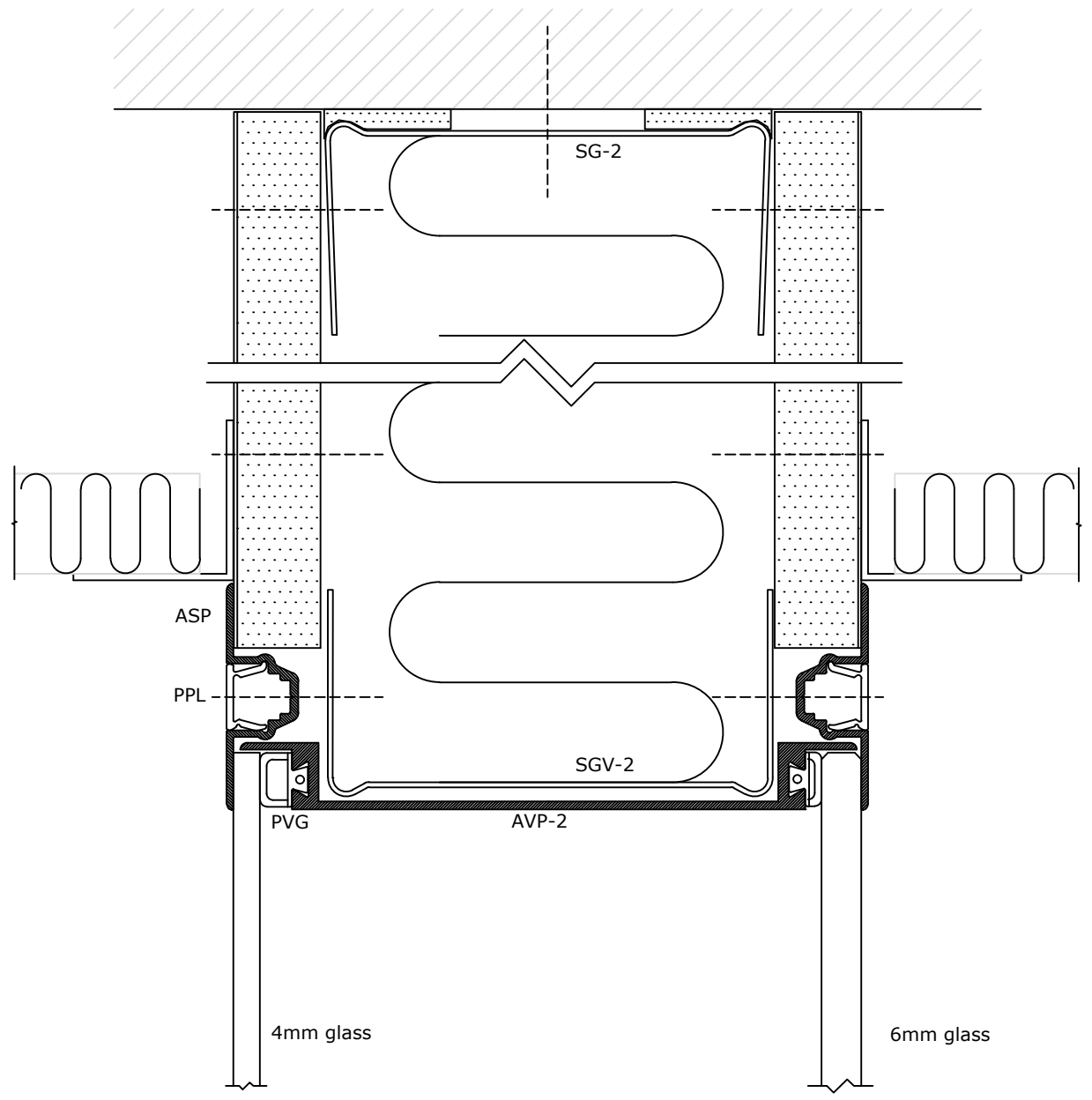

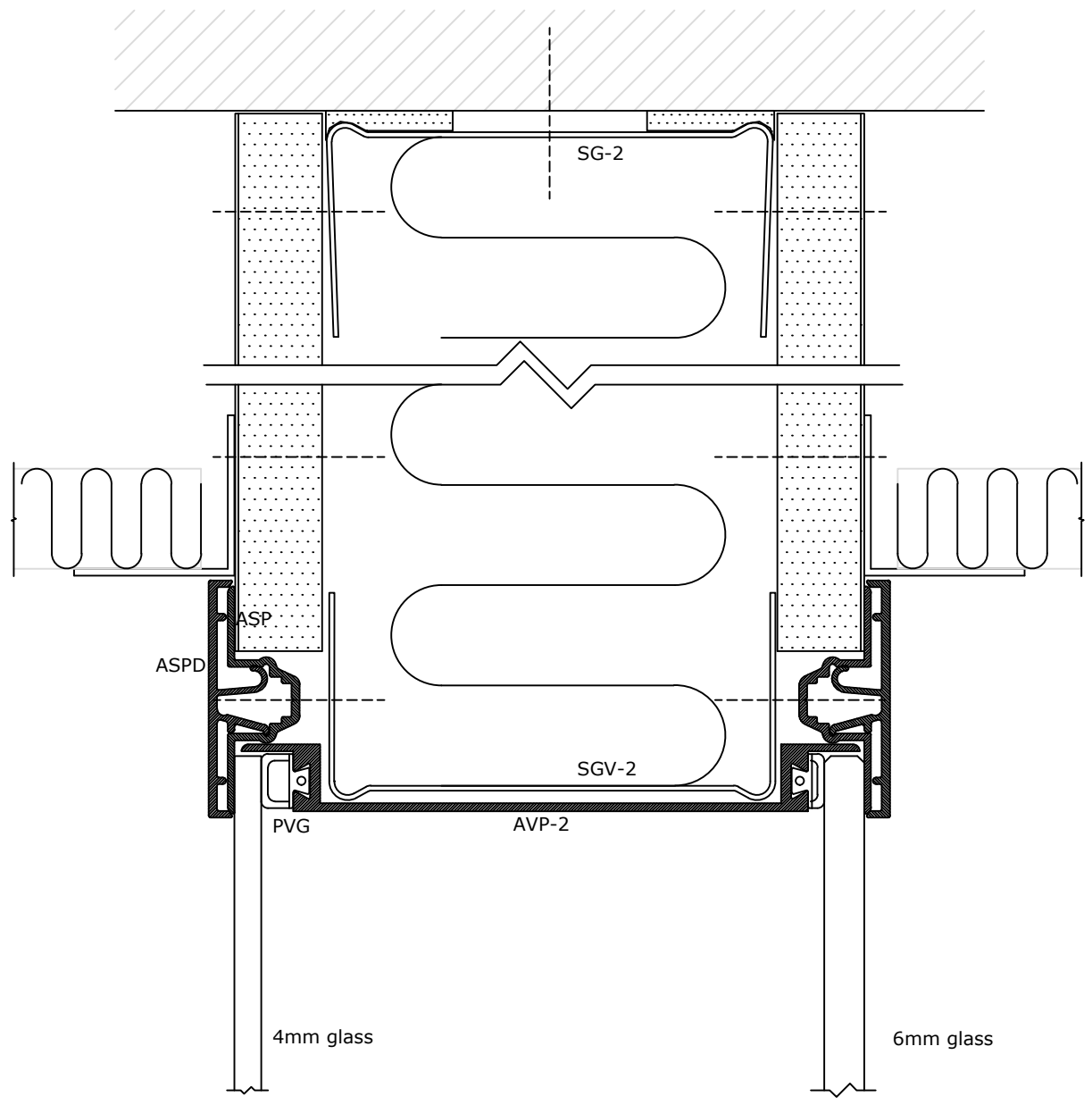
	<b>DEKO</b> Tlf./Tel: +45 43 55 77 11 www.deko.dk / www.deko.com	<b>Projekt/Project:</b> DEKO GV 1090	
	<b>Sags Nr./Case No.:</b>	<b>Emne/Subject:</b> L1E	<b>Dato/Date:</b>
<b>Mål/Scale:</b> 1:1		<b>Revideret/Revision:</b> 2016-10-06-VXX	<b>Signatur Signature</b> EBR




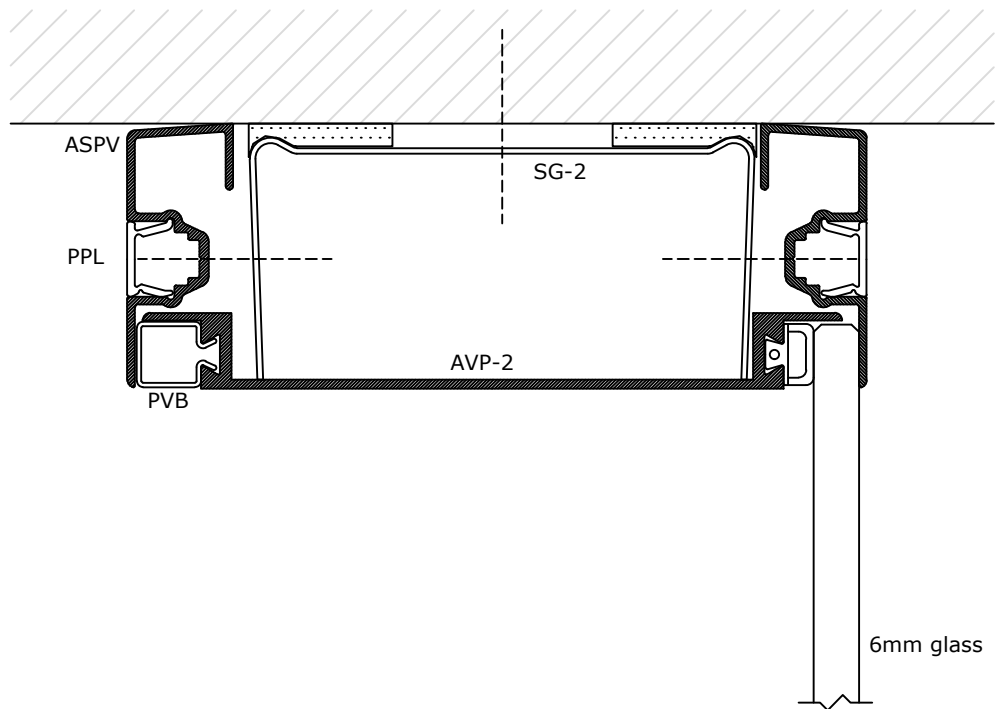
	<b>DEKO</b> Tlf./Tel: +45 43 55 77 11 www.deko.dk / www.deko.com	<b>Projekt/Project:</b> DEKO GV 1090	
	<b>Sags Nr./Case No.:</b>	<b>Emne/Subject:</b> L1G	<b>Dato/Date:</b>
<b>Mål/Scale:</b> 1:1		<b>Revideret/Revision:</b> 2016-10-06-VXX	<b>Signatur Signature</b> EBR




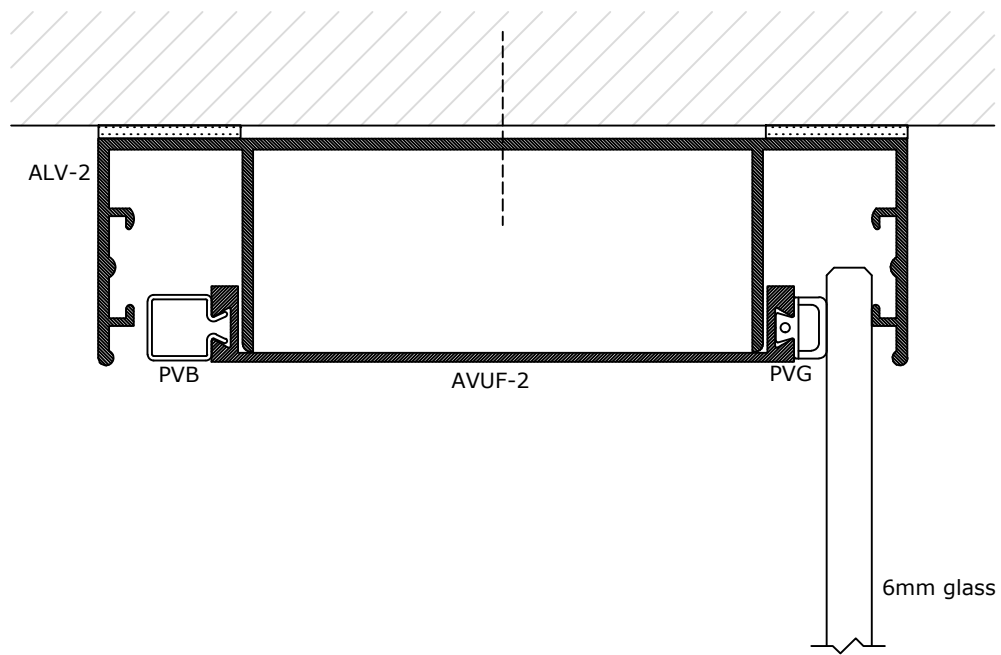
	<b>DEKO</b> Tlf./Tel: +45 43 55 77 11 www.deko.dk / www.deko.com	<b>Projekt/Project:</b> DEKO GV 1090	
	<b>Sags Nr./Case No.:</b> L1J	<b>Emne/Subject:</b>	<b>Dato/Date:</b>
<b>Mål/Scale:</b> 1:1		<b>Revideret/Revision:</b> 2016-10-06-VXX	<b>Signatur Signature</b> EBR




	<b>DEKO</b> Tlf./Tel: +45 43 55 77 11 www.deko.dk / www.deko.com	<b>Projekt/Project:</b> DEKO GV 1090	
	<b>Sags Nr./Case No.:</b>  	<b>Emne/Subject:</b> L1K	<b>Dato/Date:</b>  
<b>Mål/Scale:</b> 1:1	 	<b>Revideret/Revision:</b> 2016-10-06-VXX	<b>Signatur Signature</b> EBR



	<b>DEKO</b> Tlf./Tel: +45 43 55 77 11 www.deko.dk / www.deko.com	<b>Projekt/Project:</b> DEKO GV 1090	
	<b>Sags Nr./Case No.:</b>	<b>Emne/Subject:</b> L1L	<b>Dato/Date:</b>
<b>Mål/Scale:</b> 1:1		<b>Revideret/Revision:</b> 2016-10-06-VXX	<b>Signatur Signature</b> EBR



	<b>DEKO</b> Tlf./Tel: +45 43 55 77 11 www.deko.dk / www.deko.com	<b>Projekt/Project:</b> DEKO GV 1090	
	<b>Sags Nr./Case No.:</b>	<b>Emne/Subject:</b> L1M	<b>Dato/Date:</b>
<b>Mål/Scale:</b> 1:1		<b>Revideret/Revision:</b> 2016-10-06-VXX	<b>Signatur Signature</b> EBR