
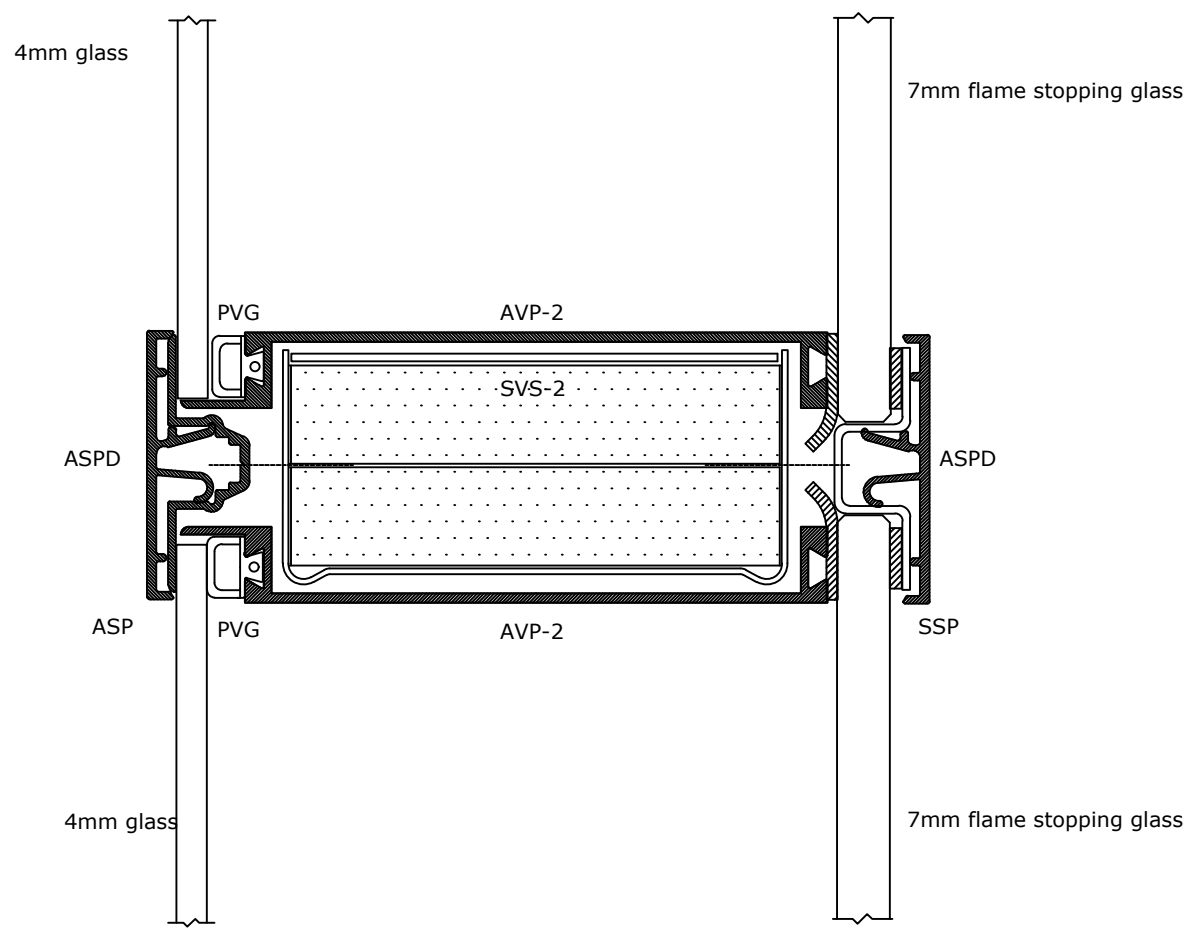



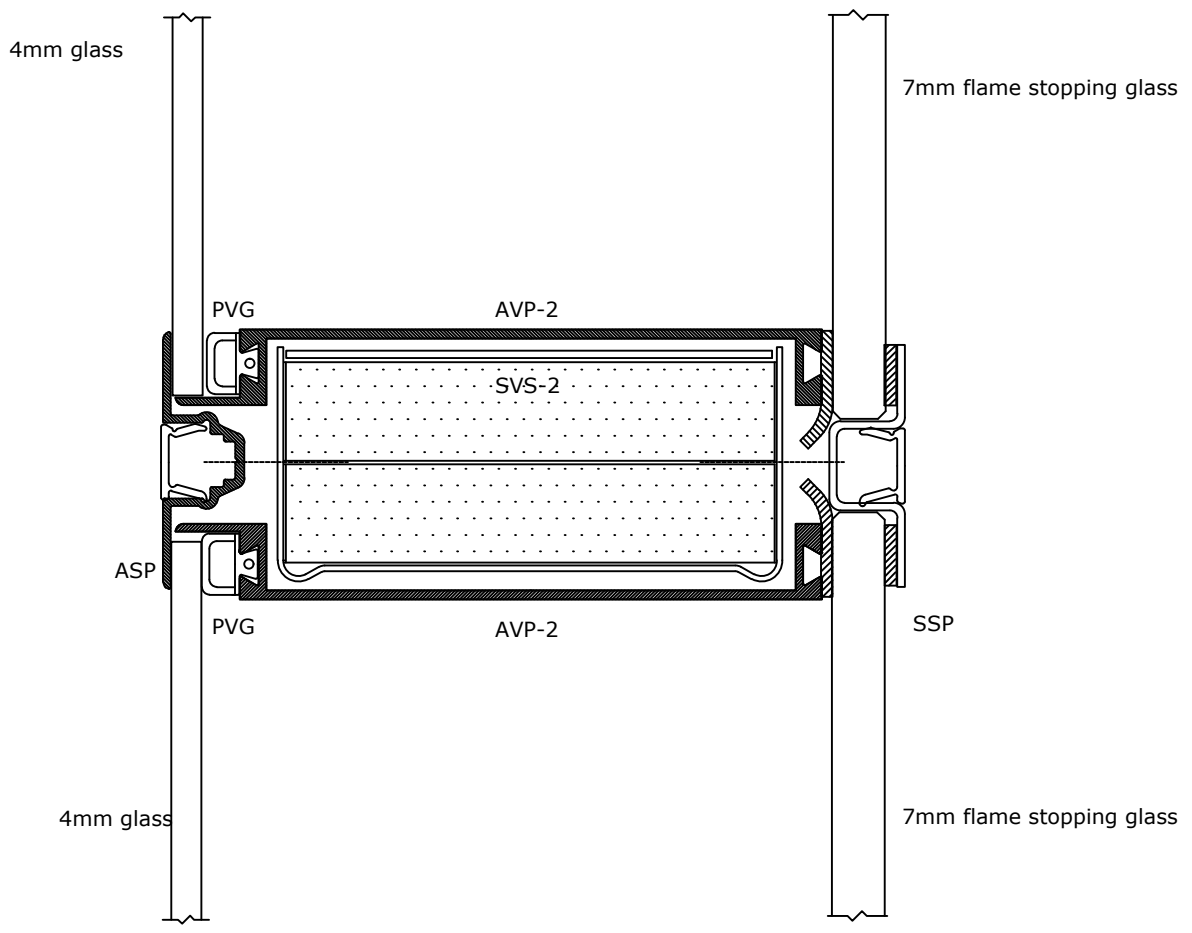
FOR PRESENTATION PURPOSE ONLY
 DO NOT USE FOR INSTALLATION

	DEKO Tlf./Tel: +45 43 55 77 11 www.deko.dk / www.deko.com		Projekt/Project: DEKO	
	Sags Nr./Case No.:	Emne/Subject: DEKO GV 1090 F30 GV_1090_F30_L2A	Dato/Date: 2017-06-30	Tegn. Nr. Sheet No. 1/1
Mål/Scale: 1:1		Revideret/Revision: 2017-06-13-V01	Signatur Signature XX	




FOR PRESENTATION PURPOSE ONLY
 DO NOT USE FOR INSTALLATION

	DEKO Tlf./Tel: +45 43 55 77 11 www.deko.dk / www.deko.com		Projekt/Project: DEKO	
	Sags Nr./Case No.:	Emne/Subject: DEKO GV 1090 F30 GV_1090_F30_L2B	Dato/Date: 2017-06-13	Tegn. Nr. Sheet No. 1/1
Mål/Scale: 1:1		Revideret/Revision: 2017-06-13-V01	Signatur Signature XX	



FOR PRESENTATION PURPOSE ONLY
 DO NOT USE FOR INSTALLATION

	DEKO Tlf./Tel: +45 43 55 77 11 www.deko.dk / www.deko.com		Projekt/Project: DEKO	
	Sags Nr./Case No.:	Emne/Subject: DEKO GV 1090 F30 GV_1090_F30_L2C	Dato/Date: 2017-06-13	Tegn. Nr. Sheet No. 1/1
Mål/Scale: 1:1		Revideret/Revision: 2017-06-13-V01	Signatur Signature XX	