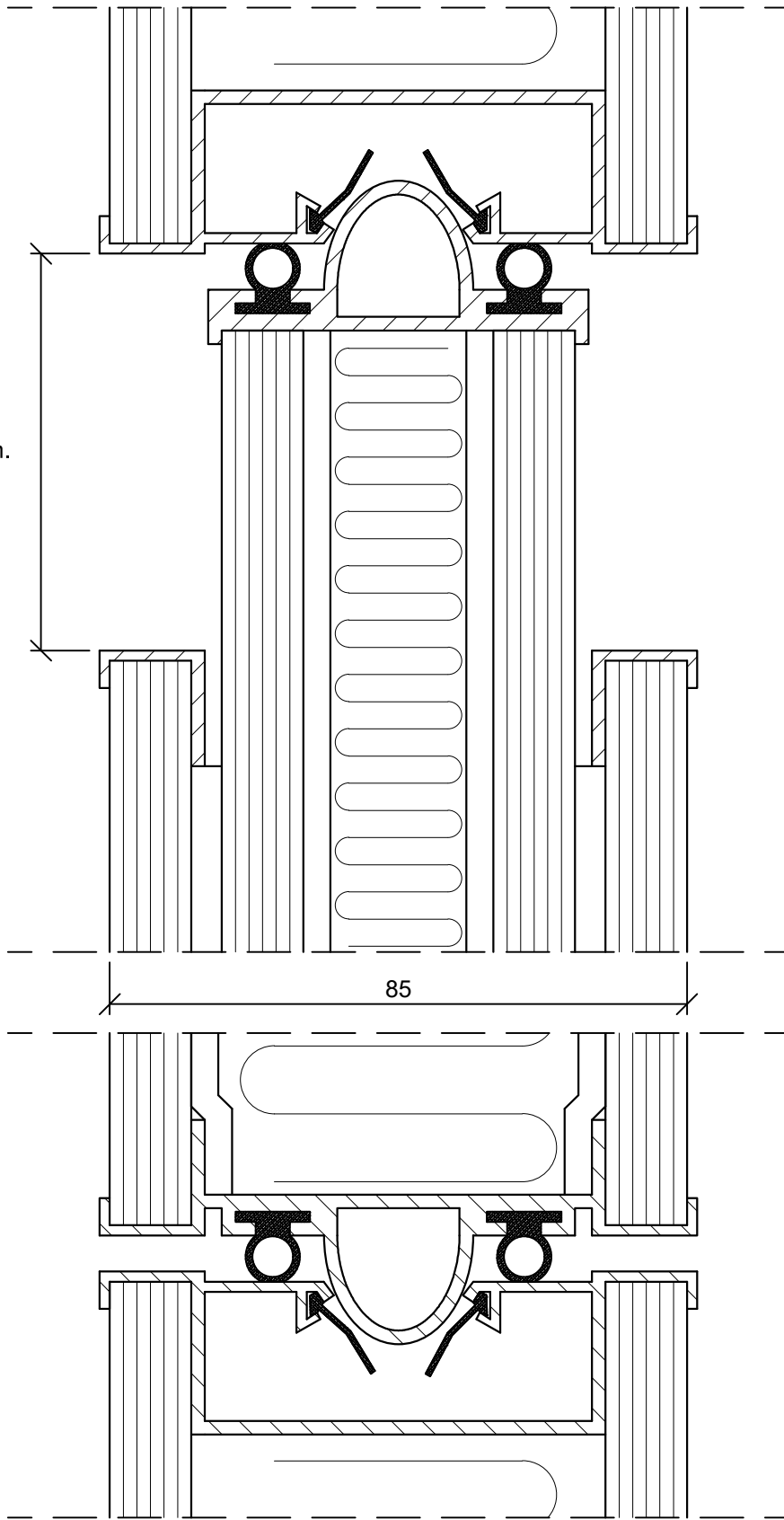
	<b>DEKO</b> Tlf./Tel: +45 43 55 77 11 www.deko.dk / www.deko.com	<b>Projekt/Project:</b> DEKO	
	<b>Sags Nr./Case No.:</b> 2017-05-30-1400	<b>Emne/Subject:</b> DEKO MV Snit Sidekarme	<b>Dato/Date:</b> 2017-05-30
<b>Mål/Scale:</b> 1:1		<b>Revideret/Revision:</b> 2017-06-02-V01	<b>Signatur Signature</b>

80-100 mm.

85



**DEKO**  
 Tlf./Tel: +45 43 55 77 11  
 www.deko.dk / www.deko.com

**Projekt/Project:**

DEKO

**Sags Nr./Case No.:**  
 2017-05-30-1400

**Emne/Subject:**

DEKO MV  
 Vandret Snit i Teleskob

**Dato/Date:**

2017-05-30

**Tegn. Nr.**

**Sheet No.** 1/1

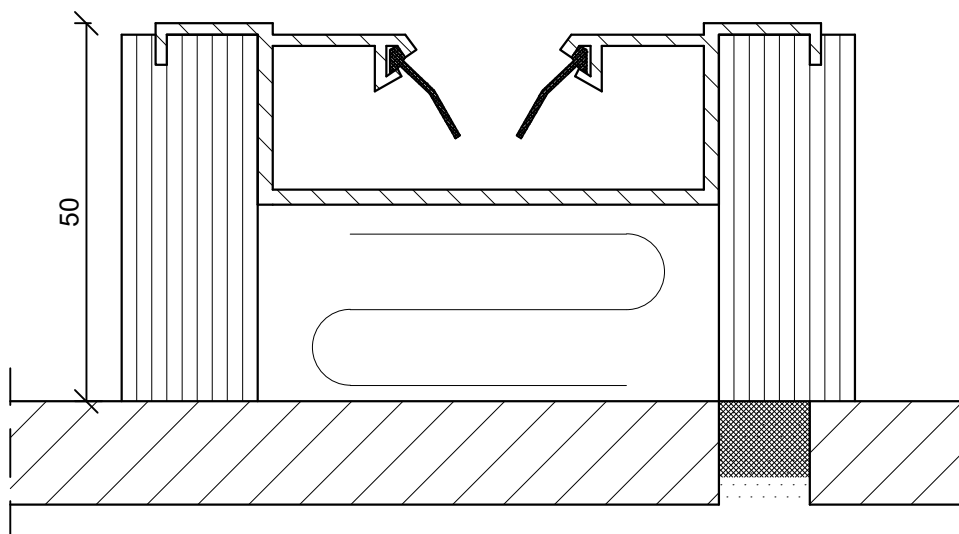
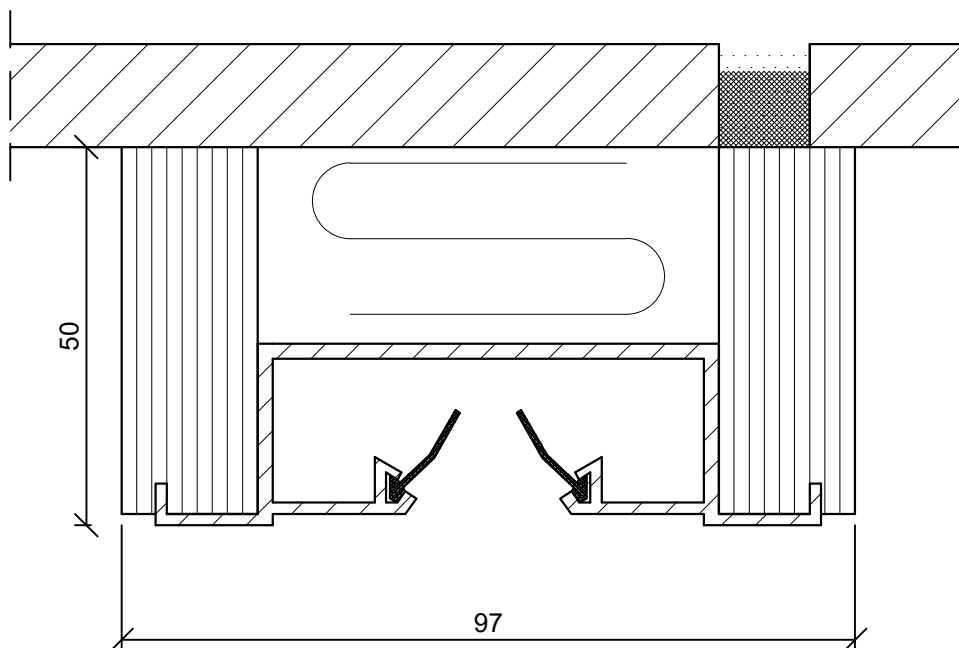
**Mål/Scale:** 1:1


**Revideret/Revision:**

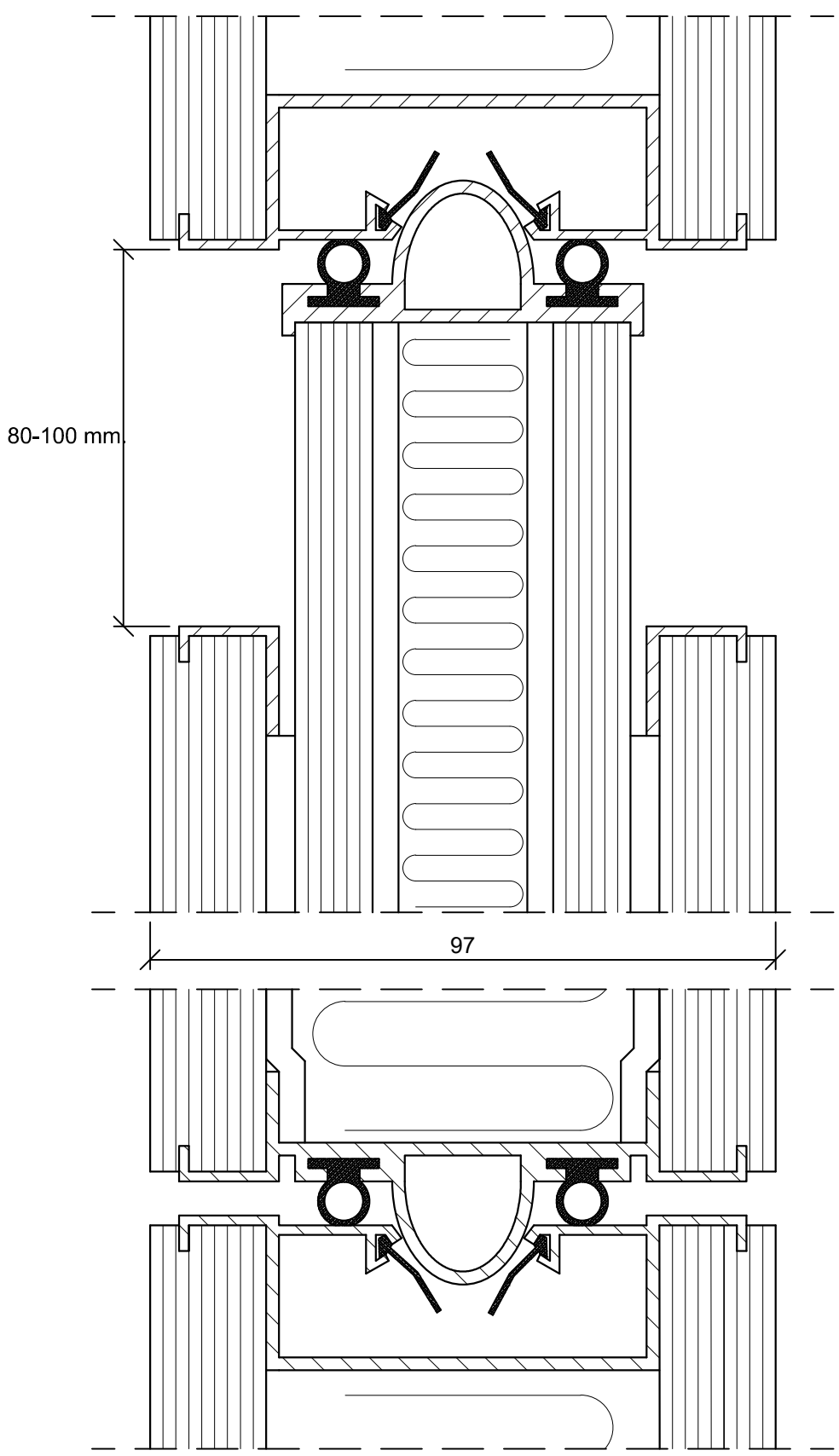
2017-06-05-V01


**Signatur**

**Signature**



	<b>DEKO</b> Tlf./Tel: +45 43 55 77 11 www.deko.dk / www.deko.com	<b>Projekt/Project:</b> DEKO	
	<b>Sags Nr./Case No.:</b> 2017-05-30-1400	<b>Emne/Subject:</b> DEKO MV Snit Sidekarme	<b>Dato/Date:</b> 2017-05-30
<b>Mål/Scale:</b> 1:1		<b>Revideret/Revision:</b> 2017-06-02-V01	<b>Signatur Signature</b>



	<b>DEKO</b> Tlf./Tel: +45 43 55 77 11 www.deko.dk / www.deko.com	<b>Projekt/Project:</b> DEKO	
	<b>Sags Nr./Case No.:</b> 2017-05-30-1400	<b>Emne/Subject:</b> DEKO MV Vandret Snit i Teleskob	<b>Dato/Date:</b> 2017-05-30
<b>Mål/Scale:</b> 1:1		<b>Revideret/Revision:</b> 2017-06-05-V01	<b>Signatur Signature</b>