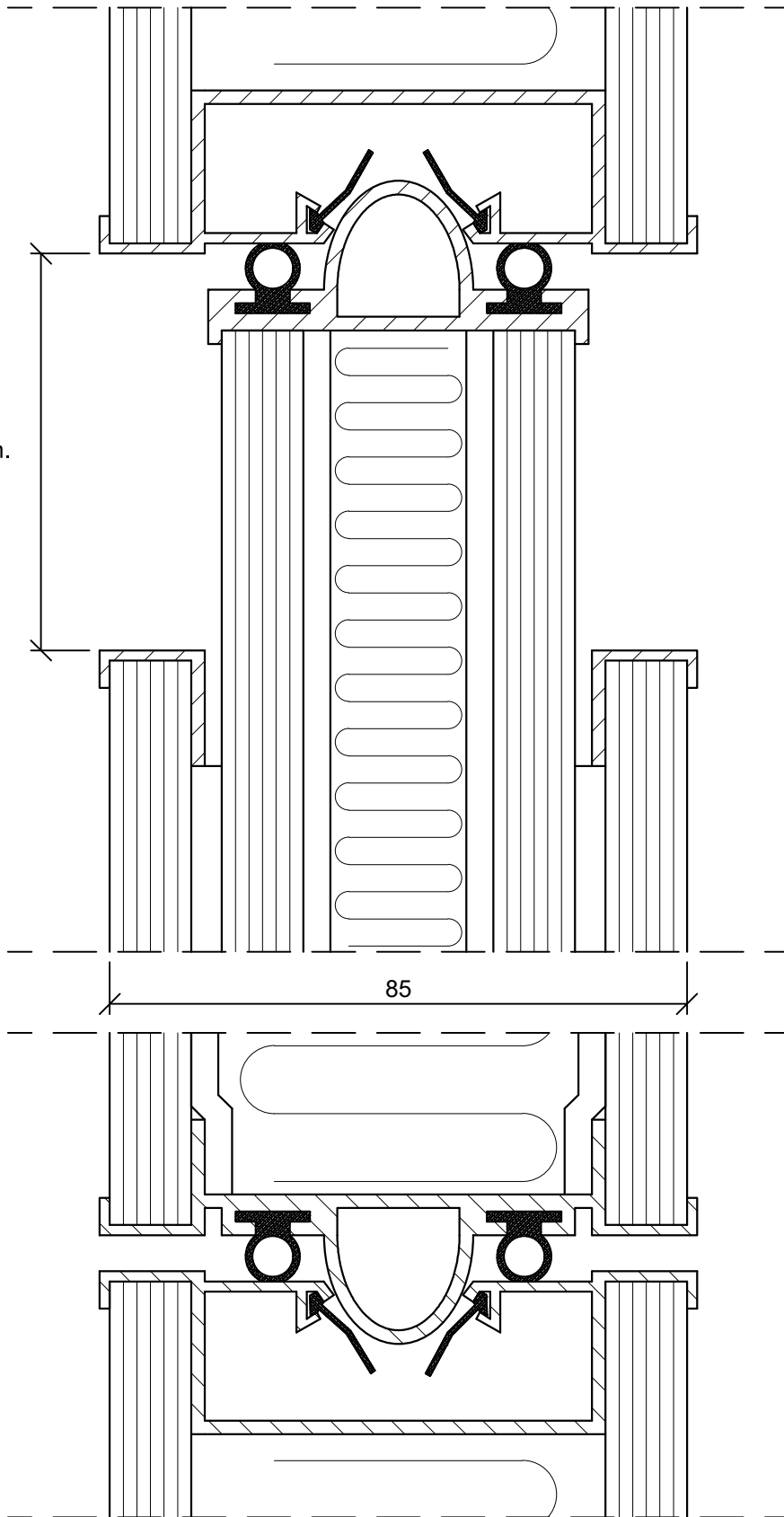
	<b>DEKO</b> Tlf./Tel: +45 43 55 77 11 www.deko.dk / www.deko.com		<b>Projekt/Project:</b> DEKO	
	<b>Sags Nr./Case No.:</b> 2017-05-30-1400	<b>Emne/Subject:</b> DEKO MV Snit Sidekarme		<b>Dato/Date:</b> 2017-05-30
<b>Mål/Scale:</b> 1:1			<b>Revideret/Revision:</b> 2017-06-02-V01	<b>Signatur Signature</b>

80-100 mm.

85



**DEKO**  
 Tlf./Tel: +45 43 55 77 11  
 www.deko.dk / www.deko.com

**Projekt/Project:**

DEKO

**Sags Nr./Case No.:**  
 2017-05-30-1400

**Emne/Subject:**

DEKO MV  
 Vandret Snit i Teleskob

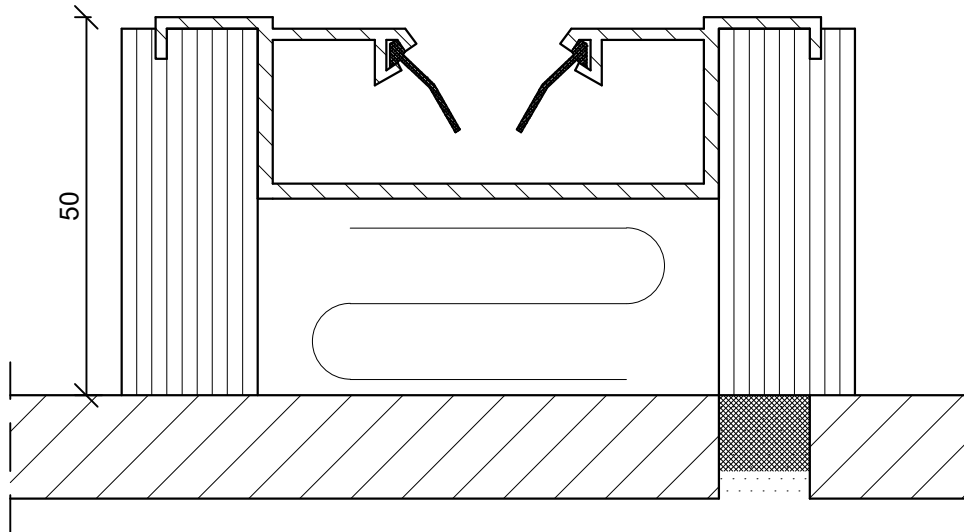
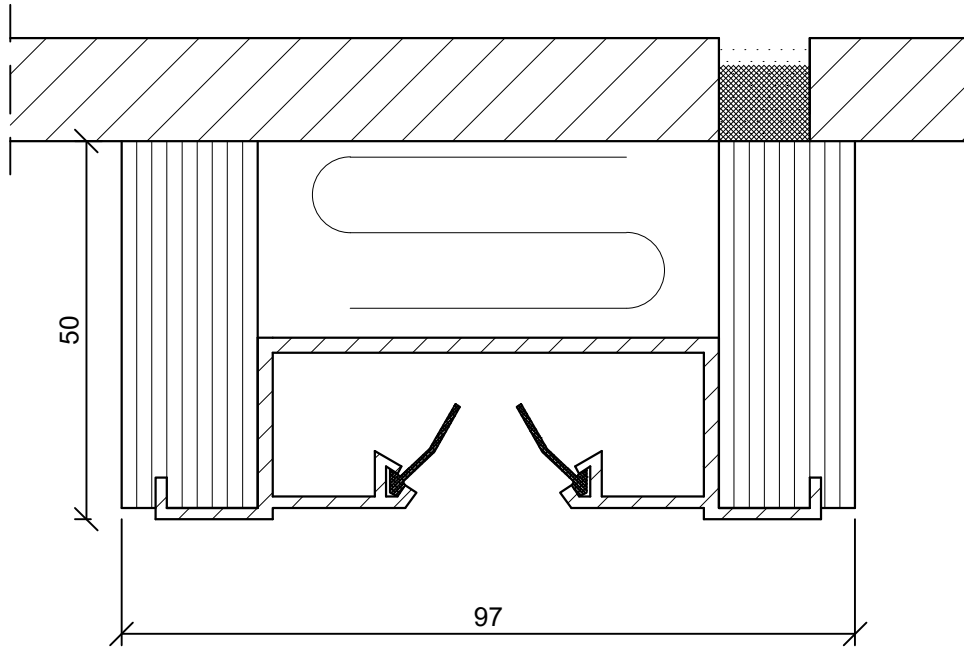
**Dato/Date:**  
 2017-05-30


**Tegn. Nr. Sheet No.** 1/1

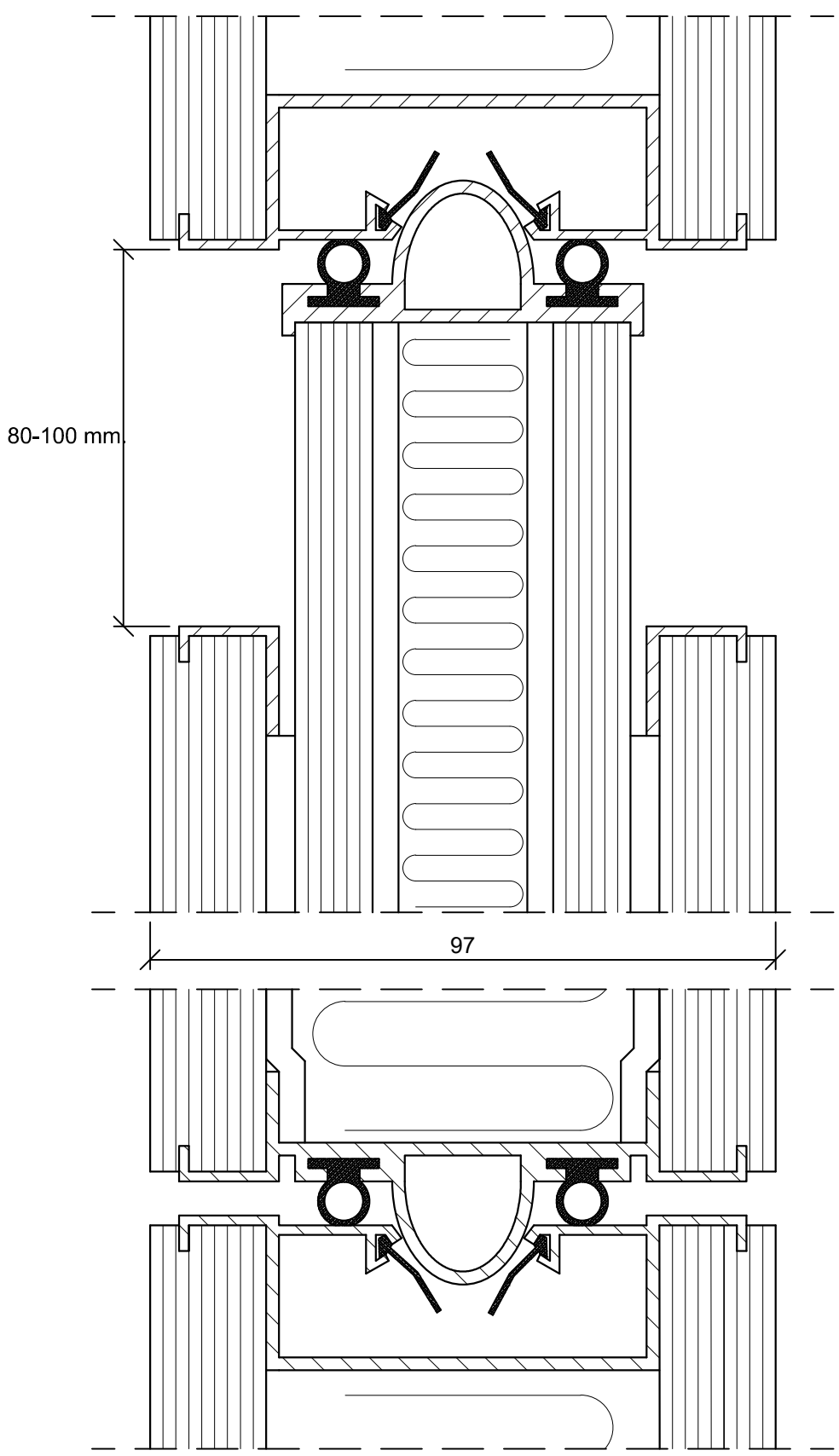
**Mål/Scale:** 1:1


**Revideret/Revision:**  
 2017-06-05-V01

**Signatur Signature**



	<b>DEKO</b> Tlf./Tel: +45 43 55 77 11 www.deko.dk / www.deko.com		<b>Projekt/Project:</b> DEKO	
	<b>Sags Nr./Case No.:</b> 2017-05-30-1400	<b>Emne/Subject:</b> DEKO MV Snit Sidekarme		<b>Dato/Date:</b> 2017-05-30
<b>Mål/Scale:</b> 1:1			<b>Revideret/Revision:</b> 2017-06-02-V01	<b>Signatur Signature</b>



	<b>DEKO</b> Tlf./Tel: +45 43 55 77 11 www.deko.dk / www.deko.com	<b>Projekt/Project:</b> DEKO	
	<b>Sags Nr./Case No.:</b> 2017-05-30-1400	<b>Emne/Subject:</b> DEKO MV Vandret Snit i Teleskob	<b>Dato/Date:</b> 2017-05-30
<b>Mål/Scale:</b> 1:1		<b>Revideret/Revision:</b> 2017-06-05-V01	<b>Signatur Signature</b>