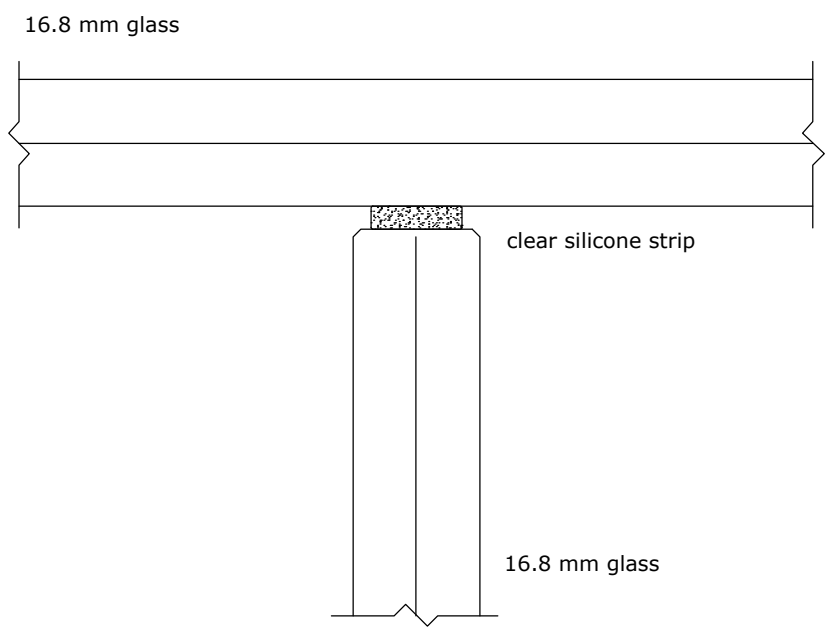

	<b>DEKO</b> Tlf./Tel: +45 43 55 77 11 www.deko.dk / www.deko.com	<b>Projekt/Project:</b> DEKO FG	
	<b>Sags Nr./Case No.:</b>	<b>Emne/Subject:</b> V2A Detail	<b>Dato/Date:</b> 2016-10-12
<b>Mål/Scale:</b> 1:1		<b>Revideret/Revision:</b> 2017-03-13 V01	<b>Signatur Signature</b> ZRA



	<b>DEKO</b> Tlf./Tel: +45 43 55 77 11 www.deko.dk / www.deko.com	<b>Projekt/Project:</b> DEKO FG	
	<b>Sags Nr./Case No.:</b>	<b>Emne/Subject:</b> V2J Detail	<b>Dato/Date:</b> 2016-10-12
<b>Mål/Scale:</b> 1:1		<b>Revideret/Revision:</b> 2017-03-13 V01	<b>Signatur Signature</b> ZRA