
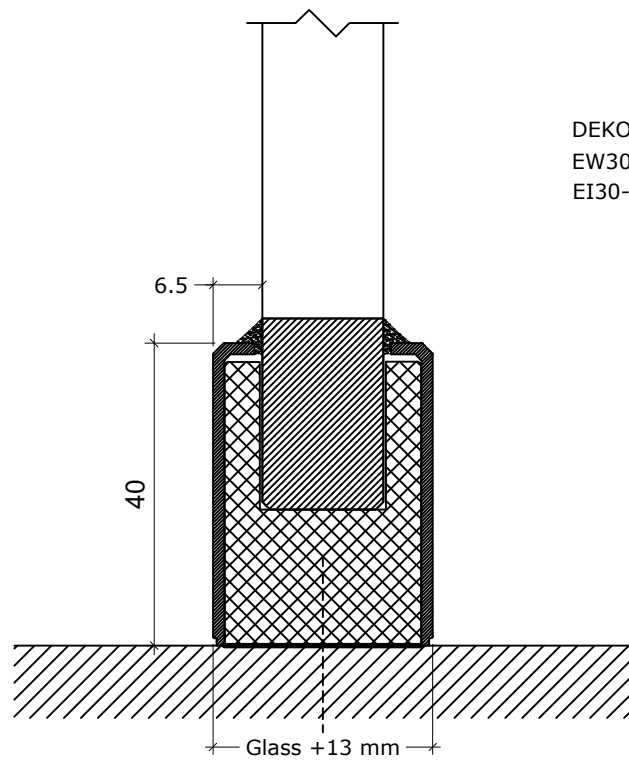


DEKO FG Fire
 EW30-EW120
 EI30-EI120


NOTE:
 Glass thickness varies depending on dimensions, fire and sound requirements.
 Possible fire resistance classes depend on the glass connection type - see detail V1 and V3.

	DEKO Tlf./Tel: +45 43 55 77 11 www.deko.dk / www.deko.com	Projekt/Project: DEKO FG Fire Fire resistance classes EW30-EW120; EI30-EI120	
	Sags Nr./Case No.:	Emne/Subject: Bottom connection Detail L3A	Dato/Date:
Mål/Scale 1:1		Revideret/Revision: 2016-06-08-V01	Signatur Signature EZ



DEKO FG Fire
 EW30-EW120
 EI30-EI120

NOTE:
 Glass thickness varies depending on dimensions, fire and sound requirements.
 Possible fire resistance classes depend on the glass connection type - see detail V1 and V3.

	DEKO Tlf./Tel: +45 43 55 77 11 www.deko.dk / www.deko.com	Projekt/Project: DEKO FG Fire Fire resistance classes EW30-EW120; EI30-EI120	
	Sags Nr./Case No.:	Emne/Subject: Bottom connection Detail L3B	Dato/Date:
Mål/Scale 1:1		Revideret/Revision: 2016-06-08-V01	Signatur Signature EZ