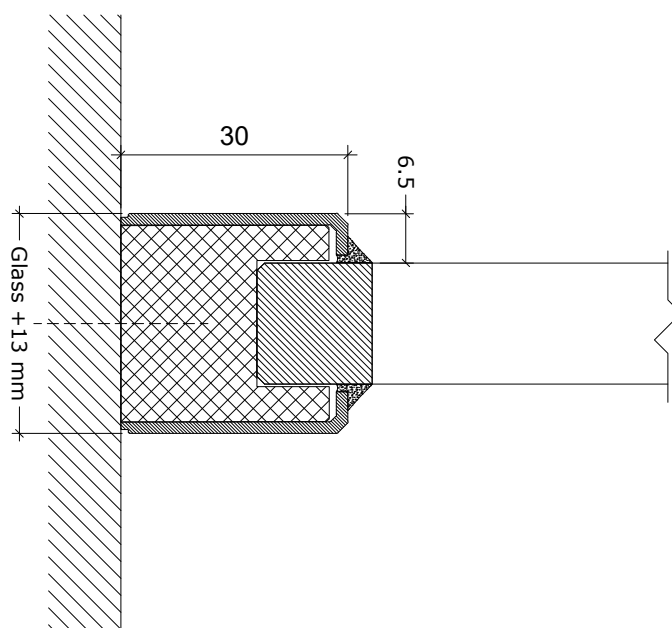



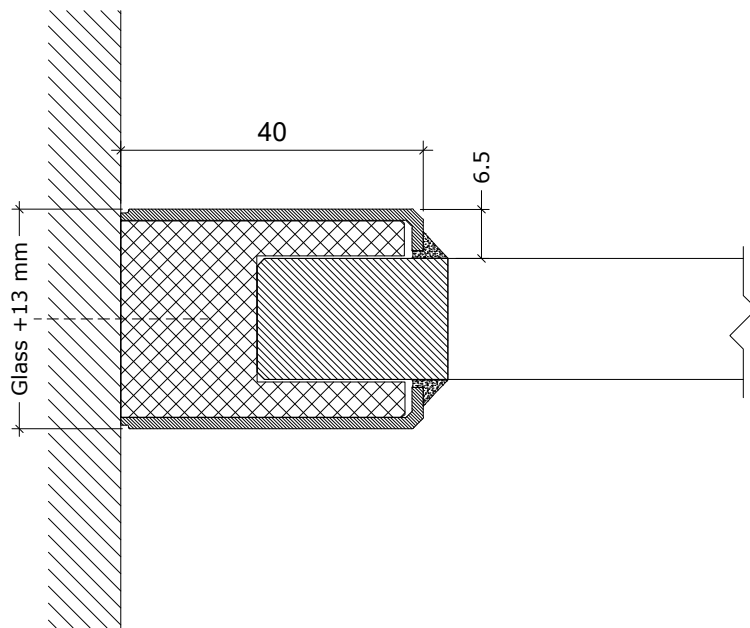
DEKO FG Fire  
 EW30-EW120  
 EI30-EI120




NOTE:  
 Glass thickness varies depending on dimensions, fire and sound requirements.  
 Possible fire resistance classes depend on the glass connection type - see detail V1 and V3.

	<b>DEKO</b> Tlf./Tel: +45 43 55 77 11 www.deko.dk / www.deko.com	<b>Projekt/Project:</b> DEKO FG Fire Fire resistance classes EW30-EW120; EI30-EI120	
	<b>Sags Nr./Case No.:</b>	<b>Emne/Subject:</b> Wall connection Detail V7A	<b>Dato/Date:</b>
<b>Mål/Scale</b> 1:1		<b>Revideret/Revision:</b> 2016-06-08-V01	<b>Signatur Signature</b> EZ

DEKO FG Fire  
 EW30-EW120  
 EI30-EI120



NOTE:  
 Glass thickness varies depending on dimensions, fire and sound requirements.  
 Possible fire resistance classes depend on the glass connection type - see detail V1 and V3.

	<b>DEKO</b> <b>Tlf./Tel:</b> +45 43 55 77 11 <a href="http://www.deko.dk">www.deko.dk</a> / <a href="http://www.deko.com">www.deko.com</a>	<b>Projekt/Project:</b> DEKO FG Fire Fire resistance classes EW30-EW120; EI30-EI120	
	<b>Sags Nr./Case No.:</b>	<b>Emne/Subject:</b> Wall connection Detail V7B	<b>Dato/Date:</b>
<b>Mål/Scale</b> 1:1		<b>Revideret/Revision:</b> 2016-06-08-V01	<b>Signatur Signature</b> EZ