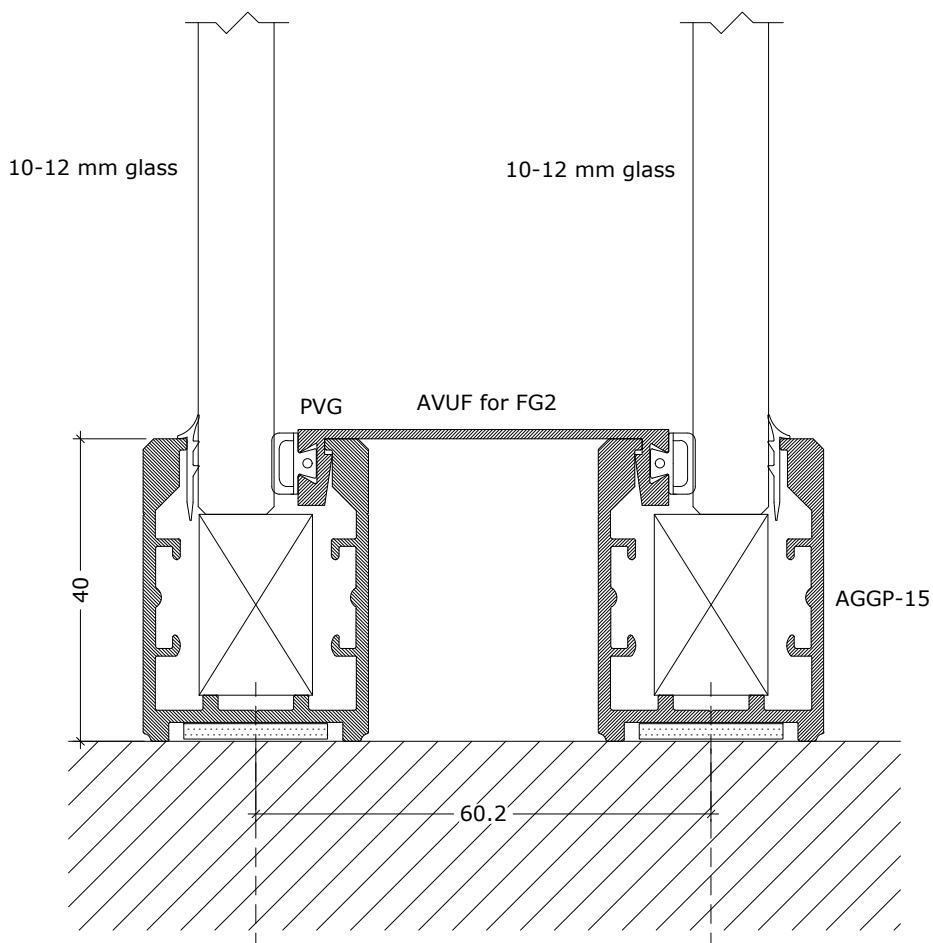

	DEKO Tlf./Tel: +45 43 55 77 11 www.deko.dk / www.deko.com		Projekt/Project: DEKO FG2 1090	
	Sags Nr./Case No.:	Emne/Subject: L3A detail Vertical section	Dato/Date: 2017-05-22	Tegn. Nr. Sheet No. 1/1
Mål/Scale 1:1		Revideret/Revision: 2017-05-22-V01	Signatur Signature EB	



	DEKO Tlf./Tel: +45 43 55 77 11 www.deko.dk / www.deko.com		Projekt/Project: DEKO FG2 1090	
	Sags Nr./Case No.:	Emne/Subject: L3B detail Vertical section	Dato/Date: 2017-05-22	Tegn. Nr. Sheet No. 1/1
Mål/Scale 1:1		Revideret/Revision: 2017-05-22-V01	Signatur Signature EB	