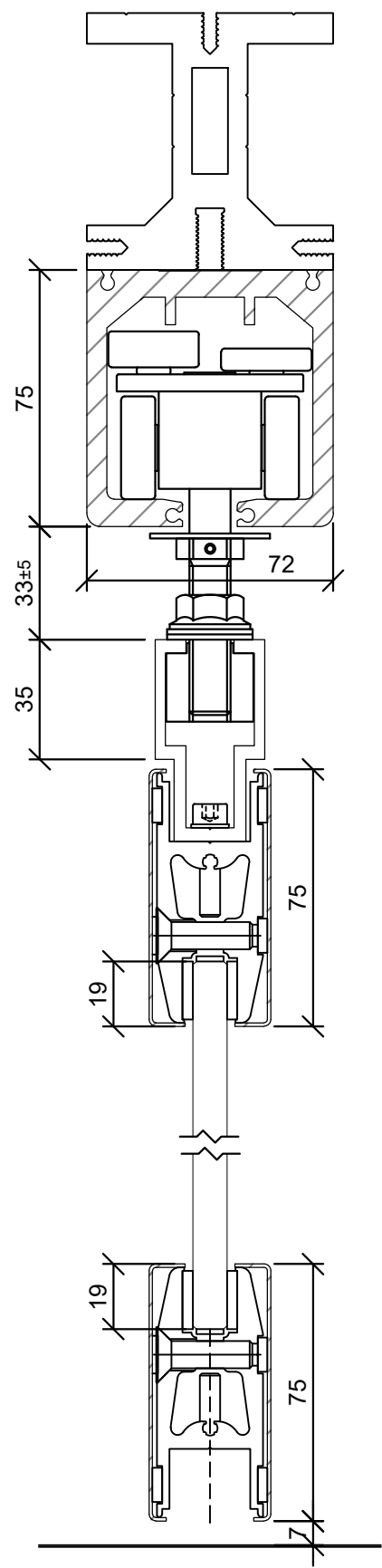

	DEKO Tlf./Tel: +45 43 55 77 11 www.deko.dk / www.deko.com		Projekt/Project: DEKO	
	Sags Nr./Case No.:	Emne/Subject: MV glass HSW EasySafe with track 72x75 Vertical section	Dato/Date: 2017-06-06	Tegn. Nr. Sheet No. 1/1
Mål/Scale: 1:2		Revideret/Revision: 2017-06-06-V01	Signatur Signature XX	



	DEKO Tlf./Tel: +45 43 55 77 11 www.deko.dk / www.deko.com		Projekt/Project: DEKO	
	Sags Nr./Case No.:	Emne/Subject: MV glass HSW Midrange with track 72x75 Vertical section	Dato/Date: 2017-06-06	Tegn. Nr. Sheet No. 1/1
Mål/Scale: 1:2		Revideret/Revision: 2017-06-06-V01	Signatur Signature XX	