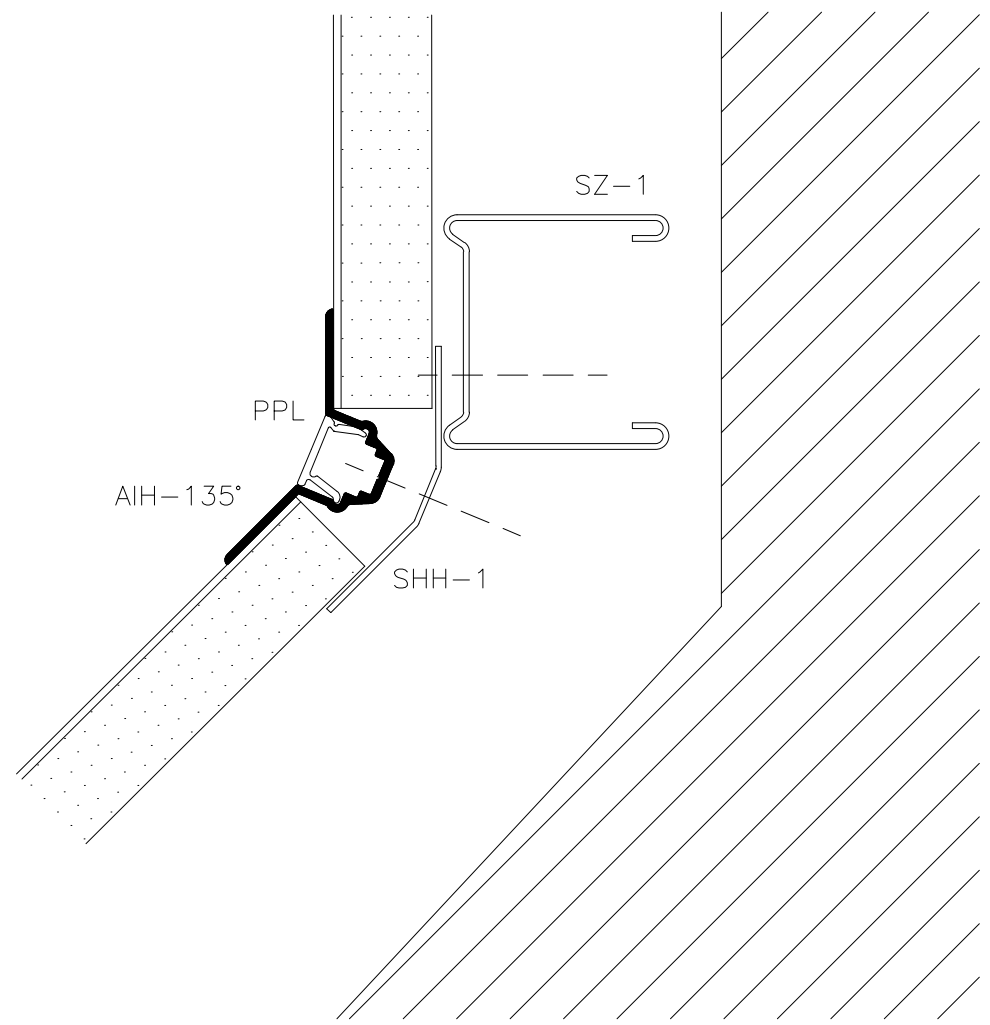

	<b>DEKO</b> <b>Tlf./Tel:</b> +45 43 55 77 11 <a href="http://www.deko.dk">www.deko.dk</a> / <a href="http://www.deko.com">www.deko.com</a>		<b>Projekt/Project:</b> DEKO PV 590	
	<b>Sags Nr./Case No.:</b>		<b>Dato/Date:</b>	<b>Tegn. Nr. Sheet No.</b> 1/1
	<b>Mål/Scale</b> 1:1		<b>Revideret/Revision:</b> 2016-05-02-V01	
<b>Emne/Subject:</b> V4A				



	<b>DEKO</b> <b>Tlf./Tel:</b> +45 43 55 77 11 <a href="http://www.deko.dk">www.deko.dk</a> / <a href="http://www.deko.com">www.deko.com</a>		<b>Projekt/Project:</b> DEKO PV 590	
	<b>Sags Nr./Case No.:</b>	<b>Emne/Subject:</b> V4B		<b>Dato/Date:</b>
<b>Mål/Scale</b> 1:1	<b>Revideret/Revision:</b> 2016-05-02-V01		<b>Signatur Signature</b> OP/EZ	