
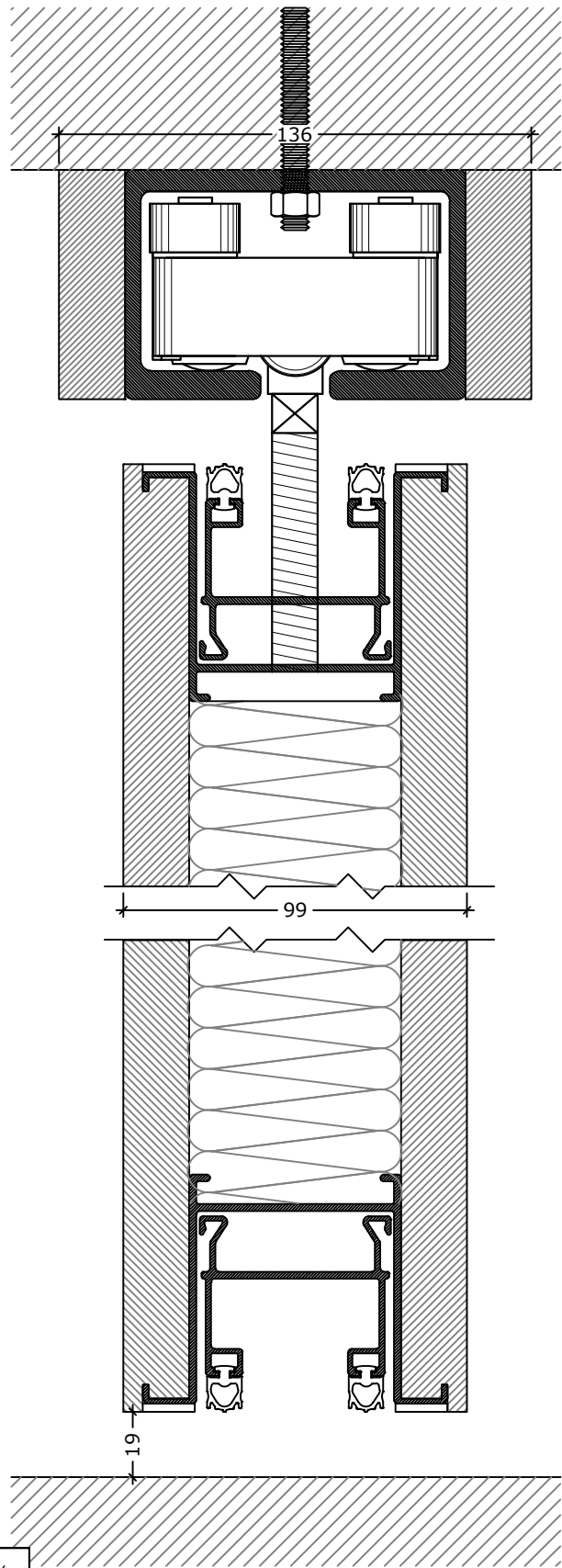



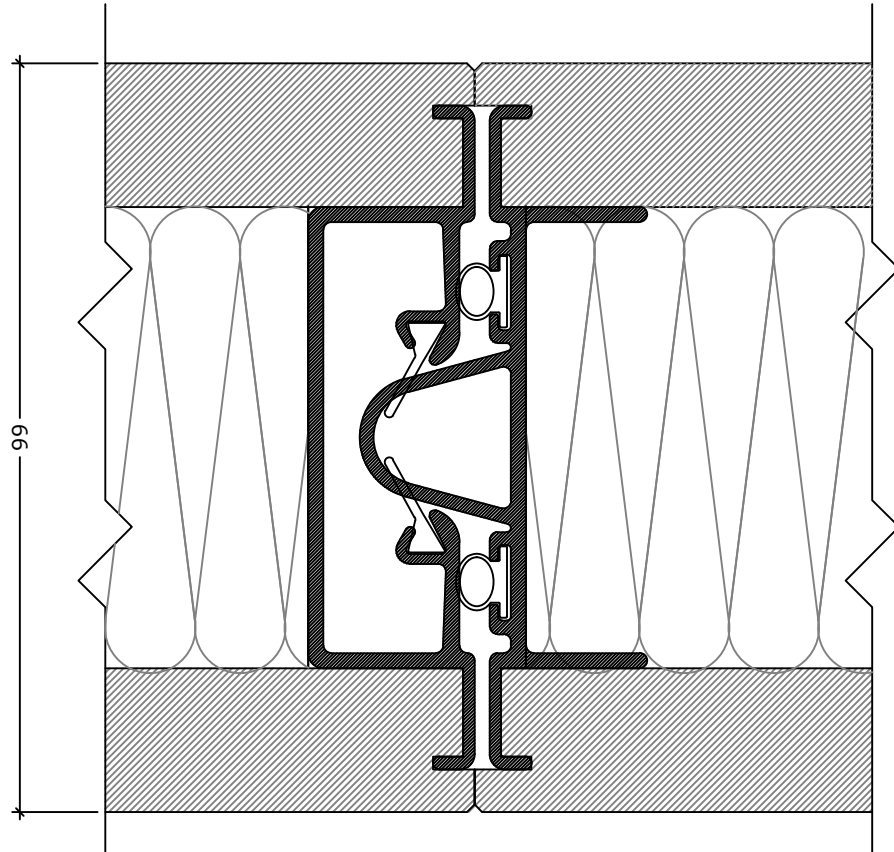
FOR PRESENTATION PURPOSE ONLY
 DO NOT USE FOR INSTALLATION

	DEKO Tlf./Tel: +45 43 55 77 11 www.deko.dk / www.deko.com	Projekt/Project: DEKO	
	Sags Nr./Case No.:	Emne/Subject: DEKO MV EI30 MV EI30_L1A+L3A Vertical section	Dato/Date: 2017-06-06
Mål/Scale: 1:2		Revideret/Revision: 2017-06-06-V01	Signatur Signature XX



FOR PRESENTATION PURPOSE ONLY
 DO NOT USE FOR INSTALLATION

	DEKO Tlf./Tel: +45 43 55 77 11 www.deko.dk / www.deko.com	Projekt/Project: DEKO	
	Sags Nr./Case No.:	Emne/Subject: DEKO MV EI30 MV EI30_L1A+L3A Vertical section	Dato/Date: 2017-06-06
Mål/Scale: 1:2		Revideret/Revision: 2017-06-06-V01	Signatur Signature XX



FOR PRESENTATION PURPOSE ONLY

DO NOT USE FOR INSTALLATION



DEKO

Tlf./Tel: +45 43 55 77 11
www.deko.dk / www.deko.com

Projekt/Project:

DEKO

Sags Nr./Case No.:

Emne/Subject:

DEKO MV EI30
MV EI30_V1A

Dato/Date:

2017-06-06

Tegn. Nr.

Sheet No. 1/1

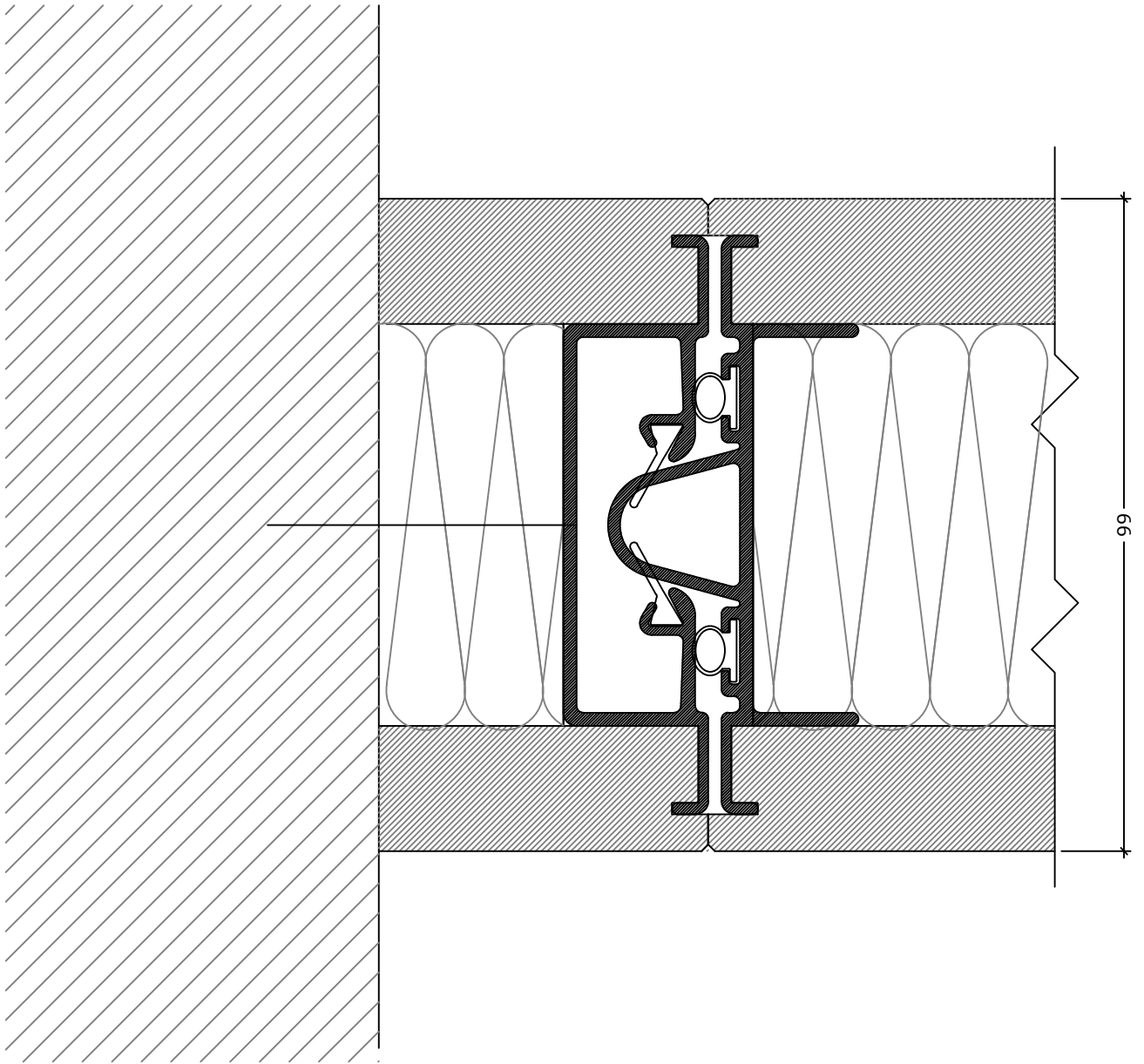
Mål/Scale: 1:1

Revideret/Revision:

2017-06-06-V01

Signatur

Signature XX



FOR PRESENTATION PURPOSE ONLY

DO NOT USE FOR INSTALLATION



DEKO
 Tlf./Tel: +45 43 55 77 11
 www.deko.dk / www.deko.com

Projekt/Project:

DEKO

Sags Nr./Case No.:

Emne/Subject:

DEKO MV EI30
 MV EI30_V7A

Wall starter

Dato/Date:

2017-06-06

Tegn. Nr.

Sheet No. 1/1

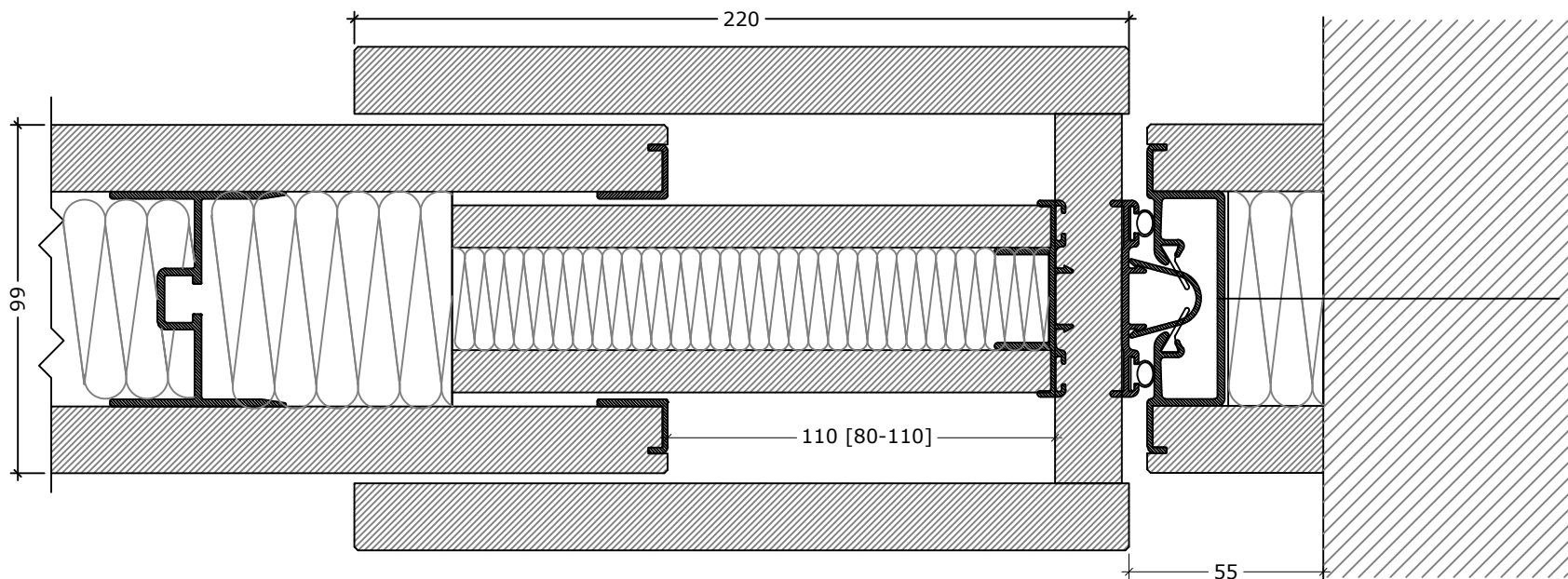
Revideret/Revision:

2017-06-06-V01

Signatur

Signature XX

Mål/Scale: 1:1



DEKO
 Tlf./Tel: +45 43 55 77 11
 www.deko.dk / www.deko.com

Projekt/Project:
 DEKO

Sags Nr./Case No.:

Emne/Subject:
 DEKO MV EI30
 MV EI30_V7B
 Teleskop panel

Dato/Date:
 2017-06-06

Tegn. Nr. Sheet No. 1/1

Mål/Scale: 1:2

Revideret/Revision:
 2017-06-06-V01

Signatur Signature XX

FOR PRESENTATION PURPOSE ONLY
 DO NOT USE FOR INSTALLATION