
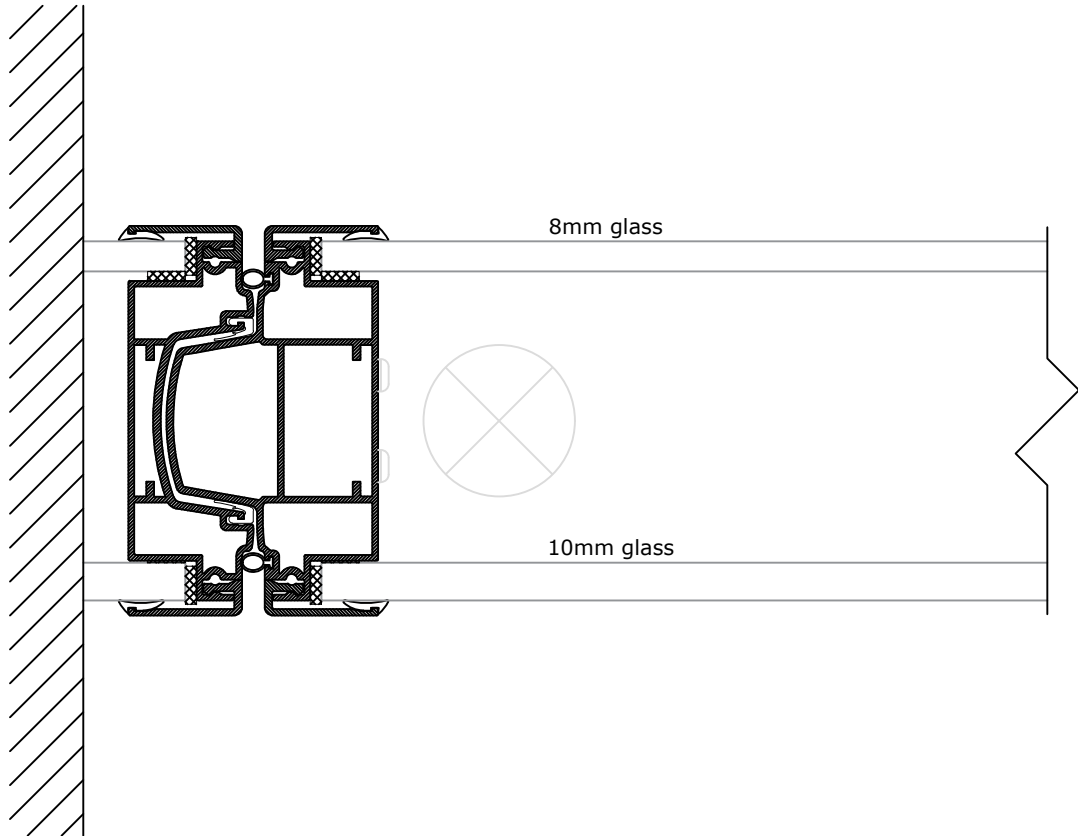



NOTE: Optional glass for 50dB is available.

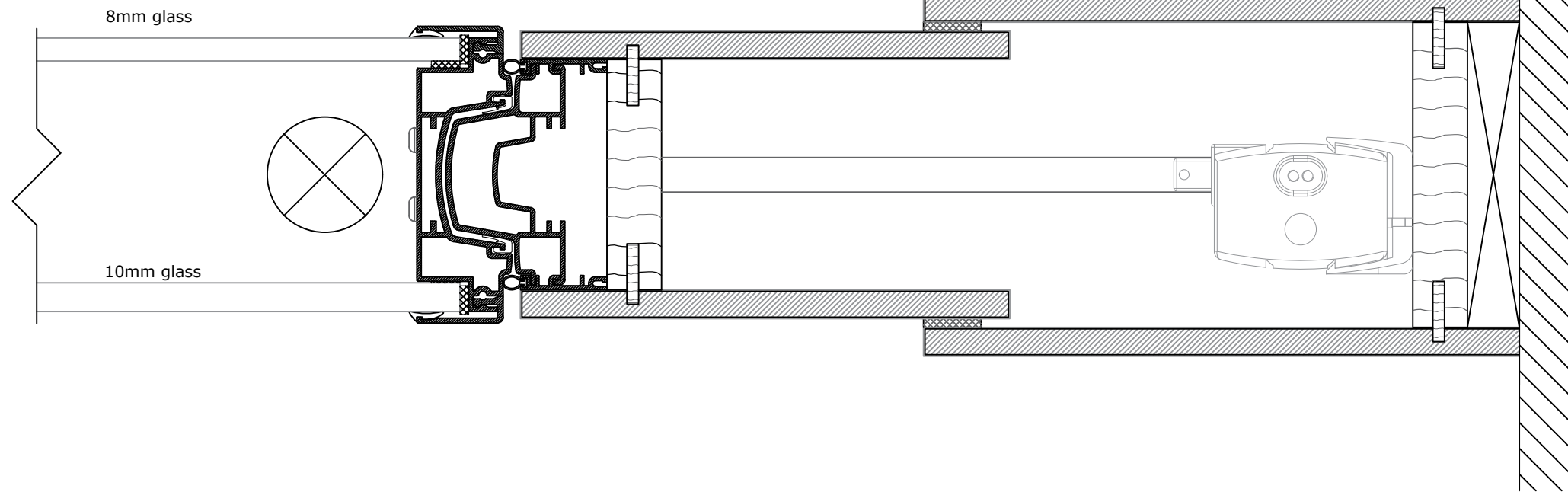
	DEKO Tlf./Tel: +45 43 55 77 11 www.deko.dk / www.deko.com		Projekt/Project: DEKO Wall starter	
	Sags Nr./Case No.:	Emne/Subject: DEKO MV2 Glass 50 - Dorma Moveo MV2 Glass_V7A		Dato/Date: 2017-05-31
Mål/Scale: 1:2			Revideret/Revision: 2017-06-01-V01	Signatur Signature XX



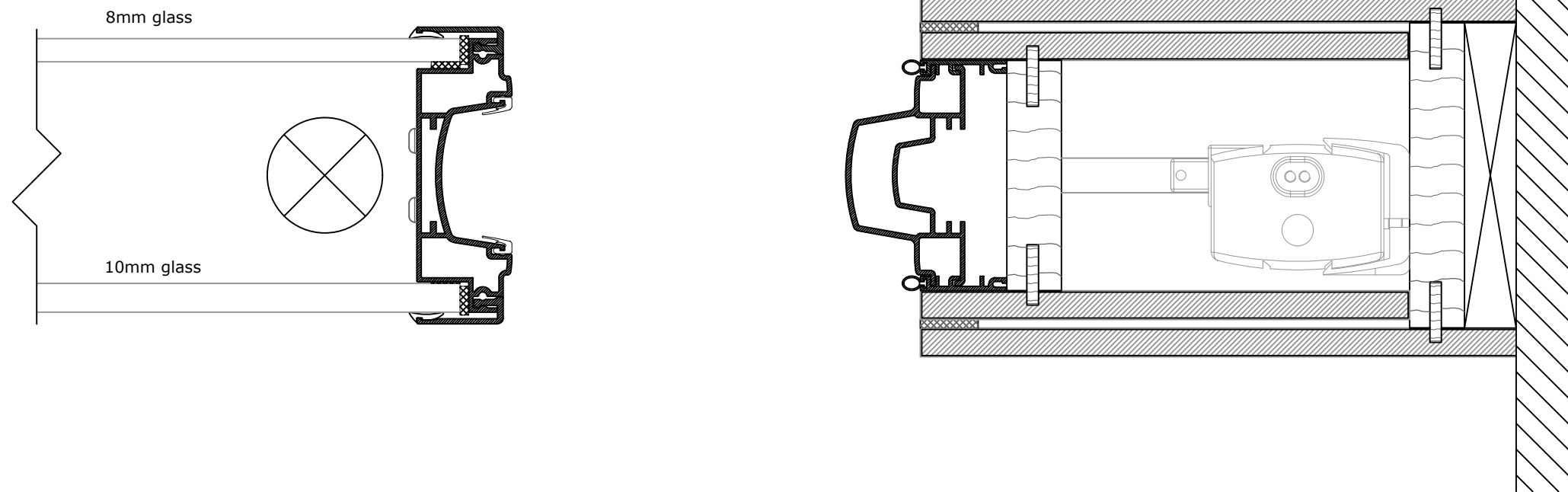
NOTE: Optional glass for 50dB is available.

	DEKO Tlf./Tel: +45 43 55 77 11 www.deko.dk / www.deko.com		Projekt/Project: DEKO Wall starter		
	Sags Nr./Case No.:	Emne/Subject: DEKO MV2 Glass 50 - Dorma Moveo MV2 Glass_V7B		Dato/Date: 2017-05-31	Tegn. Nr. Sheet No. 1/1
Mål/Scale: 1:2			Revideret/Revision: 2017-06-01-V01	Signatur Signature XX	


CLOSED WALL



OPENED WALL



NOTE: Optional glass for 50dB is available.

	DEKO Tlf./Tel: +45 43 55 77 11 www.deko.dk / www.deko.com	Projekt/Project: DEKO Automatically moved partition wall starter	
	Sags Nr./Case No.:	Emne/Subject: DEKO MV2 Glass 50 - Dorma Moveo MV2 Glass_V7C	Dato/Date: 2017-05-31
Mål/Scale: 1:2		Revideret/Revision: 2017-06-01-V01	Signatur Signature XX